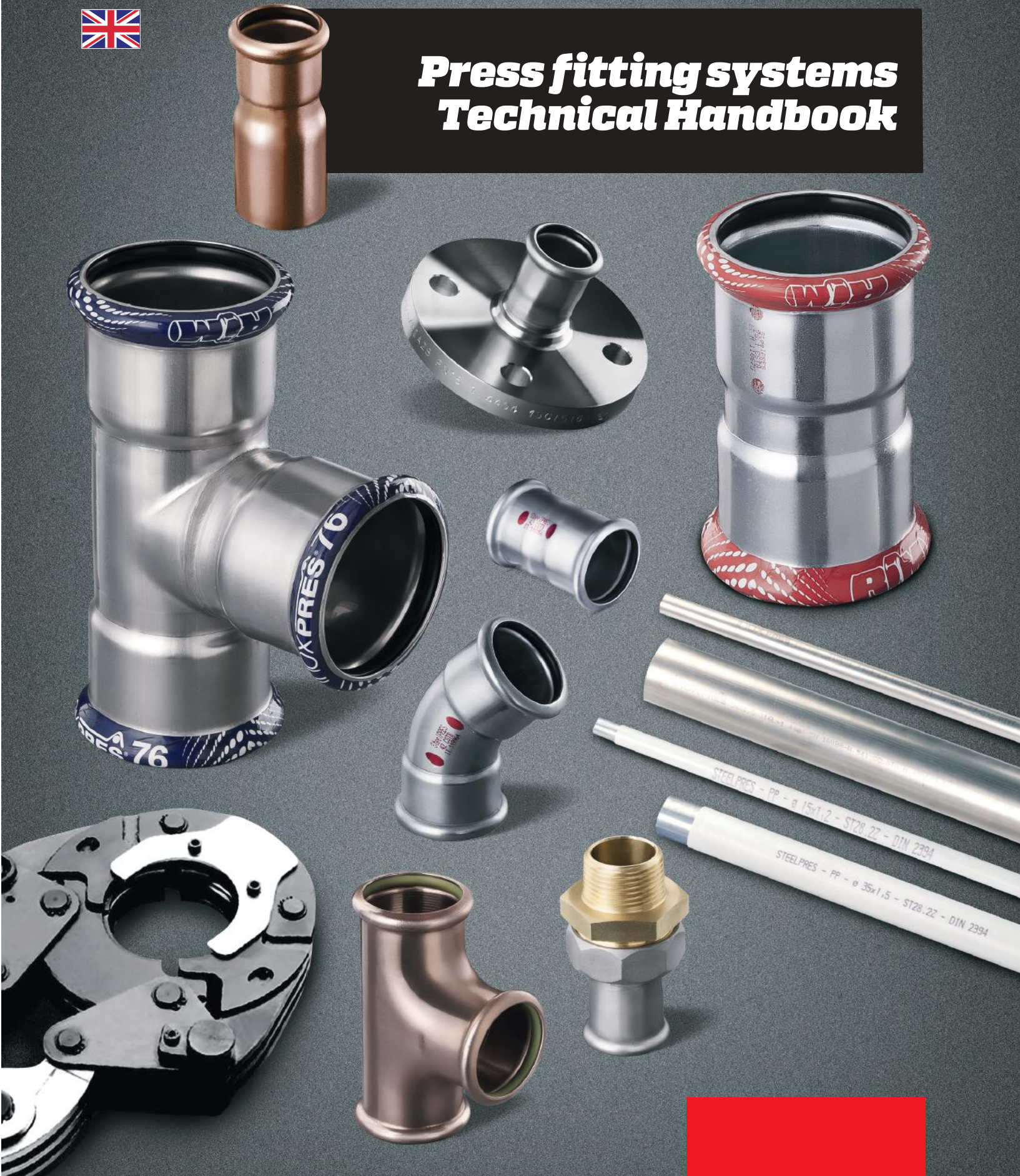




Press fitting systems Technical Handbook



inoxPRES® inoxPRES® GAS steelPRES®
AES PRES® AES PRES® GAS MARINE PRES®

ROM
RACCORDERIE METALLICHE

	Country/ Region	Certification body	Dimensions		Country/ Region	Certification body	Dimensions		Country/ Region	Certification body	Dimensions
inoxPRES			Ø 15-168,3 MM	inoxPRES GAS			Ø 15-108 MM	aesPRES GAS			Ø 15-54 MM
			Ø 15-108 MM				Ø 15-108 MM				
			Ø 22-88,9 MM				Ø 15-54 MM				
			Ø 15-54 MM				Ø 15-54 MM				
			Ø 15-108 MM				Ø 15-54 MM				
			Ø 15-108 MM								
			Ø 15-108 MM	steelPRES			Ø 15-108 MM	marinePRES			Ø 15-108 MM
			Ø 15-108 MM				Ø 15-108 MM				Ø 15-108 MM
			Ø 15-108 MM				Ø 15-108 MM				Ø 15-108 MM
			Ø 15-108 MM				Ø 15-108 MM				Ø 15-108 MM
			Ø 15-108 MM				Ø 15-108 MM				Ø 15-108 MM
			Ø 15-108 MM				Ø 15-108 MM				Ø 15-108 MM
			Ø 15-108 MM				Ø 15-108 MM				Ø 15-108 MM
			Ø 15-108 MM				Ø 15-108 MM				Ø 15-108 MM
			Ø 15-108 MM				Ø 15-108 MM				Ø 15-108 MM
			Ø 15-108 MM				Ø 15-108 MM				
			Ø 15-108 MM				Ø 15-108 MM				
			Ø 15-108 MM								
			Ø 15-108 MM								
			Ø 15-108 MM								
			Ø 22-108 MM								
			Ø 15-108 MM								
			Ø 15-108 MM								
			Ø 15-108 MM								
			Ø 15-168,3 MM								
			Ø 15-108 MM								
			Ø 15-108 MM								
			Ø 15-108 MM								
		Ø 15-108 MM									
			Ø 15-54 MM								
			Ø 15-54 MM								
			Ø 15-54 MM								
			Ø 12-54 MM								
			Ø 15-54 MM								
			Ø 15-54 MM								
			Ø 12-54 MM								
			Ø 15-108 MM								

This version of the technical handbook replaces all previous editions.

Contents

➤	1.0 Introduction	5
➤	1.1 Raccorderie Metalliche S.p.A	5
➤	1.2 Press fitting systems in water, heating and cooling installation	6
➤	2.0 Press fitting systems	7
➤	2.1 Connection technique - M profil	7
➤	2.2 inoxPRES press fittings	7
➤	2.3 inoxPRES GAS press fittings	8
➤	2.4 inoxPRES piping	8
➤	2.5 steelPRES press fittings	9
➤	2.6 steelPRES piping	9
➤	2.7 aesPRES press fittings	10
➤	2.8 aesPRES GAS press fittings	11
➤	2.9 aesPRES - aesPRES GAS copper piping	11
➤	2.10 marinePRES press fittings	12
➤	2.11 marinePRES piping	12
➤	2.12 Sealing elements	13
➤	2.12.1 Sealing ring profile	13
➤	2.12.2 Materials, characteristics, applications	13
➤	2.13 Pressing tools	15
➤	2.13.1 Basics	15
➤	2.13.2 Approved pressing tools	15
➤	2.13.3 Periodical equipment service	17
➤	3.0 Areas of use	18
➤	3.1 Applications	21
➤	3.1.1 Potable water, treated water, hydrant systems	21
➤	3.1.2 Heating	22
➤	3.1.3 Cooling and refrigeration circuits	22
➤	3.1.4 Compressed air and inert gas	22
➤	3.1.5 Natural Gas / LPG installation	22
➤	3.1.6 Solar, vacuum, steam, condensation	23
➤	3.1.7 Industrial applications	24
➤	3.1.8 Shipbuilding	24
➤	3.1.9 Extinguishing systems, sprinkler installations	24
➤	3.1.10 Glycols for installation	25
➤	4.0 Processing	26
➤	4.1 Storage and transport	26
➤	4.2 Pipes - cutting to length, deburring, bending	26
➤	4.3 Marking the insertion depth / stripping	27
➤	4.4 Press fitting seal ring check	28
➤	4.5 Making the press connection \varnothing 12 - 108 mm	28
➤	4.6 The Oversize range \varnothing 139 - 168 mm	29
➤	4.7 Equipment installations in Australia/New Zealand	30
➤	4.8 Protection of pipelines and connections from external corrosion - general	30
➤	4.9 Minimum distances and space requirement for pressing	32
➤	4.10 Thread or flange connections	32

➤	5.0 Planning	33
➤	5.1 Pipe fixing, distances between clamps	33
➤	5.2 Expansion compensation	33
➤	5.3 Thermal emission	38
➤	5.4 Insulation	39
➤	5.5 Soundproofing (DIN 4109)	40
➤	5.6 Fire prevention	40
➤	5.7 Potential equalisation	41
➤	5.8 Dimensioning	41
➤	5.9 Trace heating	41
➤	6.0 Start-up	46
➤	6.1 Pressure testing	46
➤	6.2 Flushing the system and starting up	46
➤	6.3 Regular checks	46
➤	7.0 Corrosion	47
➤	7.1 inoxPRES	47
➤	7.1.1 Bimetal corrosion (mixed installation) - DIN 1988 part 200	47
➤	7.1.2 Crevice, pitting corrosion (three phase corrosion)	47
➤	7.1.3 Outside corrosion	48
➤	7.2 inoxPRES GAS	48
➤	7.2.1 Outside corrosion	48
➤	7.3 steelPRES	49
➤	7.3.1 Inside corrosion	49
➤	7.3.2 Bimetal corrosion	49
➤	7.3.3 Outside corrosion	49
➤	7.4 aesPRES / marinePRES	51
➤	7.4.1 Bimetal corrosion (mixed installation)	51
➤	7.4.2 Perforating corrosion	51
➤	7.4.3 Outside corrosion	51
➤	7.5 aesPRES GAS	52
➤	7.6 Material compatibility - two-metal matching	52
➤	8.0 Disinfection	53
➤	9.0 Hygiene	53
➤	10.0 Form Request of compatibility	54
➤	11.0 Pressure test protocol	55
➤	11.1 Pressure test protocol for drinking water systems in "wet conditions"	55
➤	11.2 Pressure test protocol for hot water heating systems	56
➤	11.3 Pressure test protocol for potable water with compressed air	57
➤	12.0 Guarantee	58

1.0 Introduction

1.1 Raccorderie Metalliche S.p.A

Raccorderie Metalliche S.p.A. (RM) was founded as a family company in the Mantova province of Italy in 1970 and is specialised in the production and distribution of:

- sockets;
- carbon steel fittings;
- stainless steel fittings;
- plugs and accessories for radiators.

In 1999 the company introduced **inoxPRES**, the press fitting system in stainless steel, and later **steelPRES**, the carbon steel press fitting system.

In 2010 Raccorderie Metalliche extended the production of press fitting systems to copper (**aesPRES**) and coppernickel materials (**marinePRES**)

Extensive investment in buildings and very modern machinery in operation ensure the current annual capacity of approximately 12 million press fittings. The specialist sanitary and heating stockist trade within Europe, together with selected non-European markets, are supplied within the framework of the three-stage distribution set-up; market support subsidiary companies exist in both Germany / France and Spain.

The company has a distinctive quality management system which has been certified in accordance with UNI EN ISO 9001:2015.

The suitability of the **inoxPRES**, **steelPRES**, **aesPRES** and **marinePRES** press fitting systems described in this handbook for the applications defined has been- as far as required- tested and certified by WRAS, the DVGW in Germany and a wide range of other international organisations.



Figure 1 – Campitello head office and factory



Figure 2 – EN ISO 9001:2015 RM Certification

1.2 Press fitting systems in water, heating and cooling installation

Press fittings made of steel and copper were developed in Sweden at the end of the fifties and have enjoyed an increasingly large share of the market since the beginning of the eighties, in Europe. The connection technique is still considered to be innovative, since the tried-and-trusted simple 'cold' mounting technique allows fast, solid and permanent connection of tubing, especially in domestic water, gas and heating installations. In the meantime, the connection technique in the form of press fittings has spread to include not only all types of metal, carbon steel, stainless steel, copper, red bronze, etc., also plastic and plastic composite tubing, and is in Europe the leading connection technique.

Raccorderie Metalliche S.p.A. (RM) has furtherly developed carbon steel, stainless steel and nowadays copper/copper-nickel press fitting range as well. Besides It has clearly simplified the system assembly through the modification of our o-ring shape and toroidal chamber. At the same time, the sealing surface has been enlarged and the risk of accidental non-pressing has been minimised by the creation of a security seal ring.

Product Range	Material	O-Ring	Diameters	Note
inoxPRES	STAINLESS STEEL AISI 316L (1.4404)	■ EPDM	ø 15 ÷ 108 mm	--
inoxPRES GAS	STAINLESS STEEL AISI 316L (1.4404)	■ NBR - HNBR	ø 15 ÷ 108 mm	--
inoxPRES HT FREE	STAINLESS STEEL AISI 316L (1.4404)	■ FKM	ø 15 ÷ 54 mm	Silicone Free
inoxPRES STEAM	STAINLESS STEEL AISI 316L (1.4404)	□ STEAM	ø 15 ÷ 54 mm	See the dedicated technical handbook
inoxPRES OVERSIZE	STAINLESS STEEL AISI 316L (1.4404)	■ EPDM	ø 139,7 ÷ 168,3 mm	--
steelPRES	GALVANISED CARBON STEEL	■ EPDM	ø 12 ÷ 108 mm	--
AES PRES	COPPER-BRONZE	■ EPDM	ø 12 ÷ 54 mm	--
AES PRES GAS	COPPER-BRONZE	■ NBR	ø 15 ÷ 54 mm	--
MARINE PRES	COPPER-NICKEL	■ FKM	ø 15 ÷ 108 mm	--

Figure 3 - Product range

With the **inoxPRES** press fitting system of stainless steel for potable water and gas installations, **steelPRES** for closed hot water heating systems, **aesPRES** for potable water and gas installations, **marinePRES** for naval sector, RM offers a comprehensive shaped fitting series in the dimension range from 12 ÷ 168,3 mm OD, together with piping, pressing tools and accessories.

To simplify applications for the fitter, the pressing of the fittings has been so constructed that all the tools approved from the press fitting systems leading manufacturers, i.e. pressing tools and pressing jaws or collars, are also approved by RM. The planning and installation of potable water and heating systems demands comprehensive expert knowledge, together with knowledge of a multitude of industrial standards and technical guidelines. Of particular importance are DIN 1988 part 100-600, the VDI guideline 6023, DIN EN 806, DIN EN 1717, DIN EN 12329 and the amendment to the potable water legislation (TrinkwV) which came into effect on the 1st January 2003 as well as DVGW work sheets W 534 and GW 541. This technical handbook is intended to provide especially planners and fitters with essential information to help both size up the field of application and to carry out professional installation.

This handbook mostly refers to industrial standards and regulations which are valid in Germany. Of particular importance are DIN 1988 part 100-600, the VDI guideline 6023, DIN EN 806, DIN EN 1717, DIN EN 12329 and the amendment to the potable water legislation (TrinkwV) which came into effect on the 1st January 2003 as well as DVGW work sheets W 534 and GW 541.

For supplementary information, please contact the appropriate technical department at Raccorderie Metalliche S.p.A. Names, addresses and further details can be found at raccorderiemetalliche.com.

2.0 Press fitting systems

2.1 Connection technique - M profil

The press connection is made by inserting the pipe into the press fitting as far as the marked insertion depth. The connection is created by pressing, using an approved pressing tool (see point 2.13 Pressing tools).

Press fittings in dimensions $\varnothing 12 \div 35$ mm must be pressed with jaws, $\varnothing 42 \div 168,3$ mm must be pressed with pressing collars/chains.

The longitudinal and compression closing character of the connection is clearly illustrated in figures 4 and 5. During the pressing process a deformation takes place on two planes. The first plane creates a permanent connection and provides mechanical strength through the mechanical deformation of the press fitting and the pipe. On the second plane the seal ring is deformed in its cross section and through its elastic properties creates the permanently tight joint.

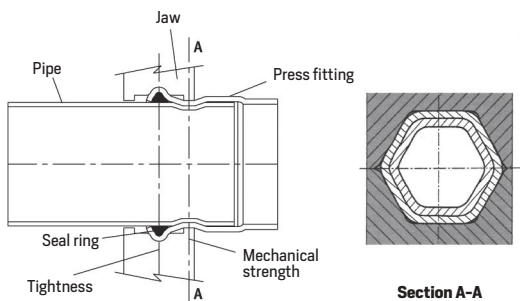


Figure 4 - Section through an **inoxPRES / steelPRES / aesPRES / marinePRES** connection with jaw still in position. Dimensions of $\varnothing 12 \div 35$ mm produce a hexagonal pressing profile.

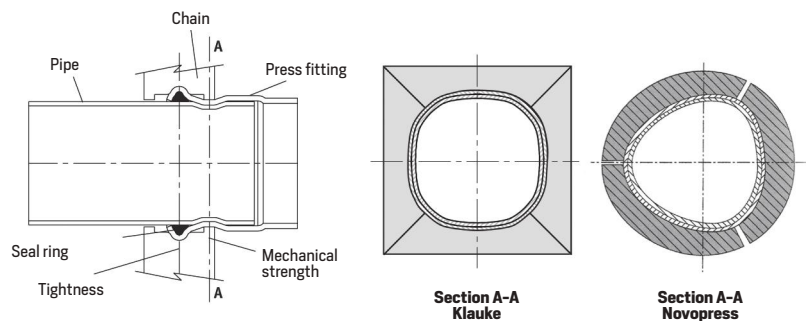


Figure 5 - Section through an **inoxPRES / steelPRES / aesPRES / marinePRES** connection with collar still in position. Dimensions of $\varnothing 42 \div 168,3$ mm produce a defined profile.

The complete range of the press fitting systems **inoxPRES**, **steelPRES**, **aesPRES** and **marinePRES** is described in the relevant "Product range" catalogue.

2.2 inoxPRES press fittings

inoxPRES press fittings are manufactured using high-alloyed austenitic stainless Cr-Ni-Mo steel with the material number AISI 316L [1.4404].

The press fittings are indelibly marked with laser reporting the manufacturer name, diameter, DVGW test symbol and internal code. The formed ends of the press fittings are fitted with a black EPDM seal ring as standard for potable water applications.



Figure 6 - **inoxPRES** press fitting

2.3 inoxPRES GAS press fittings

inoxPRES GAS press fittings are manufactured using high-alloyed austenitic stainless Cr-Ni-Mo steel with the material number AISI 316L (1.4404).

They differ from **inoxPRES** for potable water installations in that they have a factory-fitted yellow NBR/HNBR seal ring and are also indelibly marked **inoxPRES** in black and indelibly yellow marked with 'RM' and the pressure range 'PN 5 /GT 1'.

A mixed installation (components from different manufacturers) is not permitted if gas pipes are installed.

In Germany, for gas systems, compliance is to be provided to TRGI.



Figure 7 - **inoxPRES GAS** press fitting

Please verify the local laws/regulations regarding the use of **inoxPRES GAS** for gas applications in UK.

2.4 inoxPRES piping

inoxPRES pipes are available in different materials, with various approvals according to the various applications. The longitudinally welded pipes are thin-walled, manufactured according to DVGW worksheet GW 541, EN 10217-7 (DIN17455) and EN 10312.

The different types of piping materials are:

- austenitic high-alloy Cr-Ni-Mo steel in AISI 316L (1.4404) material, DVGW certified;
- "nickel-free" ferritic stainless steel of AISI 444 (1.4521) material, DVGW certified;
- high-alloy austenitic Cr-Ni steel of AISI 304L (1.4307) material, not DVGW certified.

The applications according to the different materials are:

- drinking water installations with DVGW certification, pipes made in AISI 316L (1.4404) or AISI 444 (1.4521) "nickel-free" material;
- gas system, material AISI 316L (1.4404);
- for applications where DVGW certification is not required, AISI 304L (1.4307) can also be used, such as in heating, cooling, compressed air, drinking water systems where DVGW certification is not required, etc.

Inner and outer surfaces are bare metal and free of annealing colours and corrosion-promoting substances.

inoxPRES pipes are classified as non-combustible pipes according to material class A; they are supplied in lengths of 6 meters or 3 meters depending on the material and are closed with plastic plugs/caps at the ends.

TABLE 1: INOXPRES PIPES - DIMENSIONS AND CHARACTERISTICS

Pipe outside diameter x wall thickness mm	Nominal width DN	Pipe inside diameter mm	Mass kg/m	Water volume l/m
15 x 1	12	13	0,351	0,133
18 x 1	15	16	0,426	0,201
22 x 1,2	20	19,6	0,625	0,302
28 x 1,2	25	25,6	0,805	0,514
35 x 1,5	32	32	1,258	0,804
42 x 1,5	40	39	1,521	1,194
54 x 1,5	50	51	1,972	2,042
76,1 x 2	65	72,1	3,711	4,080
88,9 x 2	80	84,9	4,352	5,660
108 x 2	100	104	5,308	8,490
139,7 x 2*	125	135,7	6,896	14,460
168,3 x 2*	150	164,3	8,328	21,200
139,7 x 2,6	125	134,5	8,926	14,208
168,3 x 2,6	150	163,1	10,788	20,893

* Not certified DVGW

2.5 steelPRES press fittings

steelPRES press fittings are made of unalloyed steel with material number E 195 (material n° 1.0034) up to 108 mm outer diameter. A galvanic zinc coating with a thickness of $6 \div 12 \mu\text{m}$ protects against external corrosion. Unlike the **inoxPRES** press fittings, **steelPRES** fittings are indelibly marked in red with the manufacturer name, diameter and internal code. The black EPDM sealing ring used for **inoxPRES** is also fitted into the formed ends of the press fittings.



Figure 8 - steelPRES press fitting

2.6 steelPRES piping

steelPRES pipes are longitudinally welded thin-walled precision steel tubes according to DIN EN 10305-3. The following materials are available:

- E 220 CR2S4 (material n° 1.0215) pipes galvanised on the outside, the zinc coating is $6 \div 12 \mu\text{m}$;
- E 190 CR2S4 (material n° 1.0031) pipes are sendzimir-galvanised on both sides; the zinc coating is $10 \div 20 \mu\text{m}$.

The weld seam is smoothed in order to ensure a proper sealing surface. **steelPRES** pipes with PP – coat 1 mm thick, available in diameters ranging from 12 mm to 108 mm outer diameter (material E 220 CR2S4 – n° 1.0215), are classified in accordance with DIN 4102-1 building material class B2 – non-burning droplets.



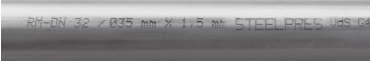
steelPRES tube with PP-coating: maximum operating temperature of 120 °C.

steelPRES pipes are supplied in lengths of 6 meters.

TABLE 2: STEELPRES PIPES - DIMENSIONS AND CHARACTERISTICS

Pipe outside diameter x wall thickness mm	Nominal width DN	Pipe inside diameter mm	Mass kg/m	Water volume l/m	Pipe Outside diameter mm
without PP-coating				with PP coating	
12 x 1,2	10	9,6	0,320	0,072	14
15 x 1,2	12	12,6	0,408	0,125	17
18 x 1,2	15	15,6	0,497	0,191	20
22 x 1,5	20	19	0,824	0,284	24
28 x 1,5	25	25	1,052	0,491	30
35 x 1,5	32	32	1,320	0,804	37
42 x 1,5	40	39	1,620	1,194	44
54 x 1,5	50	51	2,098	2,042	56
76,1 x 2	65	72,1	3,652	4,080	78,1
88,9 x 2	80	84,9	4,290	5,660	90,9
108 x 2	100	104	5,230	8,490	110

TABLE 3: CHOICE OF STEELPRES - TUBES

316/005 galvanised on the outside, black inside	316/003 galvanised on the outside, black inside + PP - coating	316/002 galvanised inside/outside
Dimensions: \varnothing 12 ÷ 108 mm	Dimensions: \varnothing 12 ÷ 108 mm	Dimensions: \varnothing 22 ÷ 108 mm
		
Heating - Solar Compressed air - Inert gases	Heating Cooling	Compressed air Inert gases

2.7 aesPRES press fittings

aesPRES press fittings are made in Cu-DHP 99.9 (CW024A) copper and in CuSn5Zn5Pb2 (CC499K) bronze from \varnothing 12 to \varnothing 54 mm included. **aesPRES** fittings are indelibly marked with a laser system with the manufacturer name, the diameter and the DVGW control brand and with an internal code. At the press fitting swollen ends, a black EPDM o-ring is fitted.

In Great Britain the aesPRES system is certified with the WRAS quality brand from \varnothing 15 ÷ 54 mm.



Figure 9 - aesPRES press fitting

2.8 aesPRES GAS press fittings

aesPRES GAS press fittings are made in Cu-DHP 99.9 (CW024A) copper and in CuSn5Zn5Pb2 (CC499K) bronze. They are different from da **aesPRES** (drinkable water system version) for the following features:

- ❑ NBR yellow o-ring, fitted at the end of production;
- ❑ the yellow indelible marking with RM Gas and pressure field PN 5/GT1, next to the **aesPRES** brand.

A mixed installation (components from different manufacturers) is not permitted if gas pipes are installed.

In Germany, for gas systems, compliance is to be provided to TRGI.



Figure 10 - aesPRES GAS press fitting

Please verify the local laws/regulations regarding the use of **aesPRES GAS** for gas applications in UK.

2.9 aesPRES - aesPRES GAS copper piping

Piping for copper water and gas installation should comply with the standard EN 1057:2010, "Copper and copper alloys - Round tubes in copper without welding for water and gas in health-care and heating applications".

TABLE 4: MECHANICAL FEATURES FOR COPPER TUBES - EN 1057

Resistance class	Delivery condition	ø (mm)
R220	Annealed - Rolls	12 ÷ 22
R250	Semi-hard - Bars	12 ÷ 28
R290	Hard - Bars	12 ÷ 54

Resistance class	Minimum traction resistance Rm (MPa)	Minimum elongation at fracture (%)
R220	220	40
R250	250	20
R290	290	3

Tube sizes to be used with **aesPRES** and **aesPRES GAS** press fittings are included in the annexed table.

TABLE 5: AESPRES PIPES - DIMENSIONS AND CHARACTERISTICS - EN 1057 / DVGW GW 392

Pipe outside diameter x wall thickness mm	Nominal width DN	Pipe inside diameter mm	Mass kg/m	Water volume l/m	Supplied condition
12 x 1	10	10	0,309	0,079	Roll 25/50 m (R 220) o Bar 5 m (R 250 - R 290)
15 x 1	12	13	0,393	0,133	
18 x 1	15	16	0,477	0,201	
22 x 1	20	20	0,589	0,314	
28 x 1,5	25	25	1,115	0,491	Bar 5 m (R 250 - R 290)
35 x 1,5	32	32	1,410	0,804	Bar 5 m (R 290)
42 x 1,5	40	39	1,704	1,194	
54 x 2	50	50	2,918	1,963	

2.10 marinePRES press fittings

marinePRES press fitting are made in CuNi10Fe1.6Mn (WL 2.1972) copper-nickel from \varnothing 15 to \varnothing 108 mm included. **marinePRES** fittings are indelibly marked with a laser system with the manufacturer name, the diameter and with an internal code. At the press fitting swollen ends a green FKM o-ring is fitted.



Figure 11 - marinePRES press fitting

2.11 marinePRES piping

marinePRES piping, with thin seamless walls, are in CuNi10Fe1.6Mn copper-nickel. Tubes in copper-nickel are made in compliance with the standard DIN 86019. Inner and outer surfaces are bare metal and free of annealing colours and corrosion-promoting substances. **marinePRES** tubes are classified as non combustible, belonging to class A as fire reaction. They are supplied in 6 m long bars.

TABLE 6: MARINEPRES PIPES - DIMENSIONS AND CHARACTERISTICS

Pipe outside diameter x wall thickness mm	Nominal width DN	Pipe inside diameter mm	Mass kg/m	Water volume l/m
15 x 1	12	13	0,392	0,133
18 x 1	15	16	0,476	0,201
22 x 1	20	20	0,588	0,314
28 x 1,5	25	25	1,114	0,491
35 x 1,5	32	32	1,408	0,804
42 x 1,5	40	39	1,702	1,195
54 x 1,5	50	51	2,206	2,042
76,1 x 2	65	72,1	4,146	4,080
88,9 x 2	80	84,9	4,874	5,660
108 x 2,5	100	103	7,389	8,332

2.12 Sealing elements

2.12.1 Sealing ring profile

Traditional press fitting systems use round sealing rings, which can easily be damaged by careless fitting. RM on the other hand uses a patented sealing ring with a lenticular profile which fits the press crimp groove. This provides the following advantages:

- a 20% enlargement of the sealing surface area;
- major reduction of the risk of the sealing ring being pressed out or damaged;
- fit makes the pipes insertion easier.

The black EPDM sealing ring from $\varnothing 15 \div 54$ mm is supplied with an additional safety feature that during pressure tests will lead to leakage in the case of accidentally unpressed connections.

- Tightness / pressure tests are to be carried out before the pipes are covered (e.g. for insulation purposes);
- Tests are to be carried out in accordance with DVGW worksheet W534 and the ZVSHK data sheet "Tightness Tests for drinking water installations with compressed air, inert gas or water";
- When conducting pressure tests with air, follow the technical rules for gas installations "DVGW-TRGI";
- The correct assembly of the press-fit connections is the responsibility of the installer / company. Unpressed-untight is to be understood as an additional help in order to identify an assembly error – in this case, the non-pressing of fittings. A precondition for that is the proper implementation of the prescribed tightness and pressure tests; it does not absolve the installer from his obligation to carry out visual and noise controls to make sure that the assembly has been done properly.

These visual and noise controls are to be duly recorded on the respective test certificate.

2.12.2 Materials, characteristics, applications

Press fitting systems were originally developed for use in potable water, heating installations and were fitted with a single standardised sealing ring for these applications.

Additional fields of application, such as gas, solar and steam, have been added through the use of stainless steel material, at the same time motivating the development of sealing rings suitable for these applications. RM supplies four different sealing rings; their characteristics and fields of application are shown in table 7.

The black EPDM standard sealing ring only is factory-fitted in the siliconised version in **inoxPRES**, **steelPRES** and **aesPRES** press fittings. The green FKM sealing ring only is factory-fitted in:

- **marinePRES** press fittings;
- **inoxPRES HT** press fittings Silicone Free.

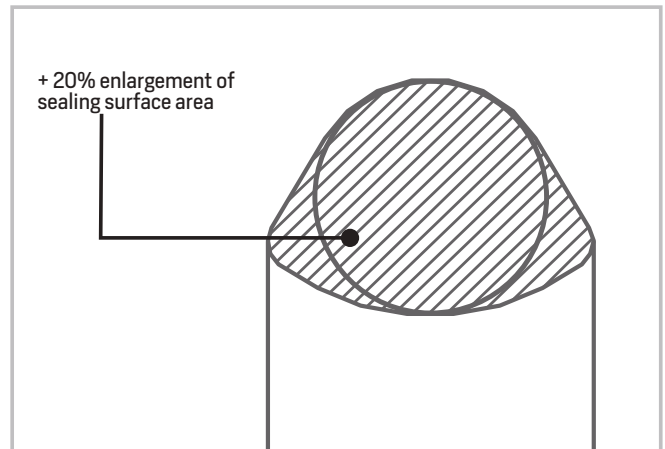







Figure 12 - Sealing ring profile



Figure 13 - Security EPDM sealing ring ($\varnothing 15 \div 54$ mm).

TABLE 7: SEALING RINGS - FIELDS OF APPLICATION AND TECHNICAL DATA

Technical term	Colour	Operating temperature Min / Max degrees centigrade	Operating pressure maximum in bar	Approvals and certification basis	Fields of application	Factory- fitted
EPDM	black 	-20* / +120 °C	16	KTW W 270 DVGW W 534	Potable water Heating Cooling and refrigeration circuits Treated water Desalinated water Rainwater Compressed air (Classe 1÷4)	YES
NBR HNBR	yellow 	-20 / +70 °C	5	G 260HTB DVGW G 5614	Natural gas Methane gas GPL (gaseous state)	YES
FKM**	green 	-20 / +220 °C	16	-	Solar Compressed air (Class 5) Naval	YES (for marinePRES and inoxPRES HT)
MVQ	red 	-20 / +180 °C	16	-	Industrial applications following approval by RM	NO
STEAM***	white 	-20 / +165 °C	7 bara (6 barg)	-	Saturated steam Max. P= 7 bara (6 barg) Max. T= 165 °C	YES (inoxPRES STEAM)

(*) Up to -30°C for occasional / non-continuous work periods

(**) *Silicone free* only if sold with the **inoxPRES HT** Silicone Free system

(***) Not available individually

With the exception of potable water, heating, solar, compressed air and gas, the figures in the table above are only for guidance; examination and approval by RM of each individual situation is therefore required.

2.13 Pressing tools

2.13.1 Basics

Pressing tools basically consist of the pressing machine (= drive machine) and pressing jaws or collars/chains. Many of the pressing jaws/collars can generally be used with the pressing machines from one manufacturer. Additionally, many manufacturers of pressing tools have so standardised the jaw attachment that pressing jaws from other manufacturers can also be used. The pressing tools must be checked by an officially authorized repairer according to the manufacturer specifications (normally once a year or after 10.000 pressing cycles for standard pressing machine, after 1.500 pressing cycles for King size pressing machine).

Press fittings in dimensions $\varnothing 12 \div 35$ mm must be pressed with jaws, $\varnothing 42 \div 168,3$ mm must be pressed with pressing collars/chains.

Principally, all metallic press fitting systems have a pressing contour on the press fittings which matches the profile of the pressing jaws/collars. For this reason it is necessary to have the approval of the tooling by the manufacturer of the press fittings intended for use. In addition, it is important to follow exactly the maintenance and servicing instructions issued by the pressing tool manufacturer.

Press fitting installation temperature with electrical pressing tools: from -20°C up to $+40^{\circ}\text{C}$

Press fitting installation temperature with battery pressing tools: from -10°C up to $+40^{\circ}\text{C}$



Figura 14 - Klauke UAP332BT



Figura 15 - Klauke UAP100120BT



Figura 16 - Novopress AC0203 BT



Figura 17 - Novopress AC0403 BT

2.13.2 Approved pressing tools

RM approves the tools produced by Klauke and Novopress listed in the tables 8 and 9 below. These are pressing tools with the appropriate pressing jaws or collars/chains.

TABLE 8: MANUFACTURER KLAUKE

Type	Piston strength	Dimension range	Weight	Compatible with jaws from / Note	
MAP1 - MAP2L	15 KN	12 ÷ 22 mm	~ 1,7 Kg	--	
MAP2L_19 MAP2119BT	19 KN	12 ÷ 35 mm	~ 1,7 Kg	MAP2L_19 is certified for Gas only up to ø 22 mm.	
UAP2 - UAP3L UAP332BT	32 KN	12 ÷ 54 mm	~ 3,5 Kg	Novopress EFP2 - EFP201 - AFP201 - EFP202 - AFP202 - ECO1 - AC01	
UNP2	32 KN	12 ÷ 54 mm	~ 3,5 Kg	Novopress EFP2 - EFP201 - AFP201 - EFP202 - AFP202 - ECO1 - AC01	
UAP4 - UAP4L UAP432BT	32 KN	12 ÷ 54 mm PN16 76,1 ÷ 108 mm PN10	~ 4,3 Kg	Novopress EFP2 - EFP201 - AFP201 - EFP202 - AFP202 - ECO1 - AC01 12 ÷ 54 mm	
UAP100 - UAP100L UAP100120BT	120 KN	76,1 ÷ 108 mm	~ 12,7 Kg	--	
AH- P700LS	PKUAP3	32 KN	12 ÷ 54 mm	~ 12,3 Kg	Novopress EFP2 - EFP201 - AFP201 - EFP202 - AFP202 - ECO1 - AC01 12 ÷ 54 mm
	PKUAP4	32 KN	12 ÷ 54 mm PN16 76,1 ÷ 108 mm PN10	~ 12,6 Kg	
	PK100AHP	120 KN	76,1 ÷ 108 mm	~ 20,2 Kg	
EHP2/SANB	0,75 KW	76,1 ÷ 108 mm	~ 69 Kg	--	

With regard to the Klauke pressing tool UAP4 / UAP4L / UAP432BT, the limitation on PN 10 is to be observed for the kingsize dimensions 76,1 ÷ 108 mm outer diameter. **inoxPRES GAS** fittings in sizes 76,1 ÷ 108 mm must be pressed with pressing collars/chains and UAP100 / UAP100L / UAP100120BT pressing machine only (others pressing machines are not approved).

TABLE 9: MANUFACTURER NOVOPRESS

Type	Piston strength	Dimension range	Weight	Compatible with jaws from / Note
AC0102 - AC0103	19 KN	12 ÷ 35 mm	~ 1,7 Kg	AC0102 - AC0103 are certified for Gas only up to ø 22 mm.
EFP2	32 KN	12 ÷ 54 mm	~ 6,1 Kg	EFP201 - AFP201 - ECO1 - AC01
EFP201 - EFP202	32 KN	12 ÷ 54 mm	~ 4,4 Kg	EFP2 - ECO1 - AC01
AFP201 - AFP202	32 KN	12 ÷ 54 mm	~ 4,3 Kg	EFP2 - ECO1 - AC01
ECO202 - AC0202 ECO203 - AC0203/BT	32 KN	12 ÷ 54 mm	~ 3,3 Kg	ECO201 - AC0201 - ECO1 - AC01
AC0202XL AC0203XL/BT	32 KN	12 ÷ 54 mm PN16 76,1 ÷ 108 (*) mm PN10	~ 4,6 Kg	ECO202 - AC0202
AC0401 AC0403/BT	100 KN 120 KN	76,1 ÷ 168,3 mm	~ 13 kg	--
AC03	36 KN	15 ÷ 54 mm 76,1 ÷ 108 mm PN10	~ 5,0 Kg	ECO3
ECO301	45 KN	12 ÷ 54 mm PN16 76,1 ÷ 108 (*) mm PN10	~ 5,0 Kg	AC03
HCP	190 KN	76,1 ÷ 108 mm	~ 70 Kg	--

(*) ø 108 - it must be pressed 2 times with the following adapters: AC0202 / 203XL: ZB221 -> 1° pressing ZB222 -> 2° pressing
ECO301: ZB323 -> 1° pressing ZB324 -> 2° pressing

With Novopress pressing tool AC0202XL / AC0203XL / ECO301, the limitation on PN 10 is to be observed for the king size dimensions 76,1 ÷ 108 mm outer diameter. **inoxPRES GAS** fittings in sizes 76,1 ÷ 108 mm must be pressed with pressing collars/chains and AC0401 / AC0403 / AC0403BT pressing machine only (others pressing machines are not approved).

VdS APPROVED PRESSING TOOLS

The list of certified pressing tools for VdS system, is indicated on the VdS certificate N° G4060006.

2.13.3 Periodical equipment service

Jaw and chain pressing units are to be serviced for a correct joint production. The pressing tools must be checked by an officially authorized repairer according to the manufacturer specifications (normally once a year or after 10.000 pressing cycles for standard pressing machine, after 1.500 pressing cycles for King size pressing machine). What is more any moving part (drive rolls) and pressing jaw and chain surfaces (internal profiles) are to be daily serviced, cleaned and lubricated.

Any possible oxidation, paint or dirt in generally affect the tool reliability leading to equipment sliding problems on joints during pressing.

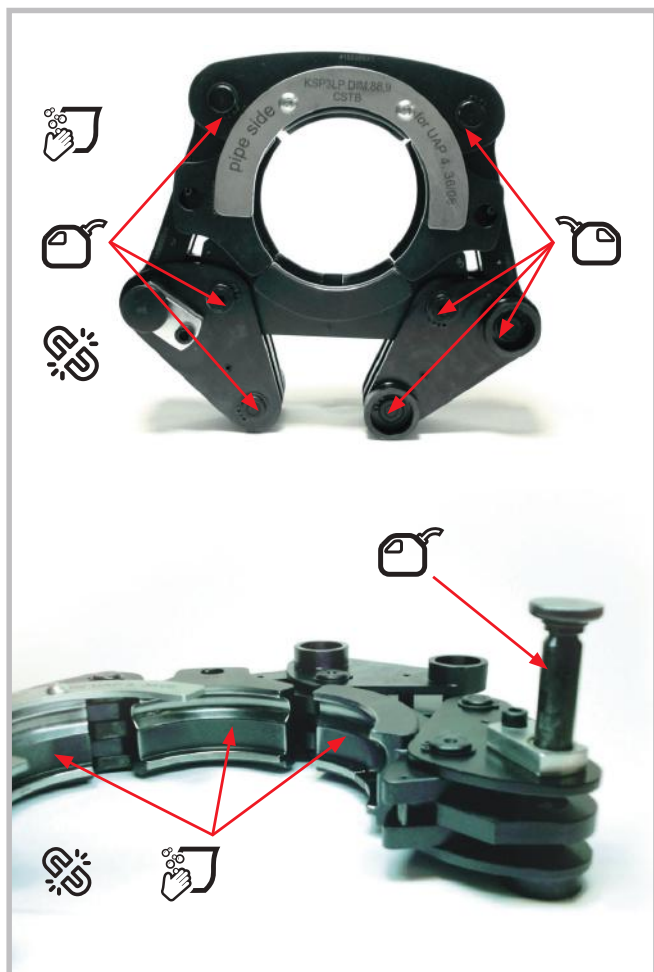


Figure 18 - Klauke equipment



Figure 19 - Novopress equipment



Keep the chain clean



Keep the pins lubricated with oil



Attention it can be broken

3.0 Areas of use

TABLE 10a: FIELD OF APPLICATION FOR PRESS FITTING SYSTEMS INOXPRES / STEELPRES / AESPRES

Application	System	O-ring	Notes	PN max. (bar)	T °C
Drinking water	InoxPRES (pipe AISI 316L or Type 444)	EPDM black	-	16	0 / +120 °C
	aesPRES (copper pipe table 4-5)	EPDM black	-	16	0 / +120 °C
Heating	steelPRES (pipe 316/005)	EPDM black	Only use internally black pipes, galvanised on the outside.	16	0 / +120 °C
	InoxPRES (pipe AISI 316L / 444 / 304L)	EPDM black	-	16	0 / +120 °C
	aesPRES (copper pipe table 4-5)	EPDM black	-	16	0 / +120 °C
Extinguishing water ⁽¹⁾	InoxPRES (pipe AISI 316L / 444 / 304L)	EPDM black	Dimensions $\varnothing 15 \div 108$ mm	16	Room temperature
	aesPRES (copper pipe table 4-5)	EPDM black	Dimensions $\varnothing 15 \div 54$ mm	16	Room temperature
Sprinkler system ⁽²⁾	InoxPRES (pipe AISI 316L ⁽³⁾ / 304L / 444)	EPDM black	Dimensions $\varnothing 22 \div 108$ mm ⁽³⁾	16	Room temperature
	aesPRES ⁽⁴⁾ (copper pipe table 4-5)	EPDM black	Dimensions $\varnothing 22 \div 54$ mm	16	Room temperature
Cooling	InoxPRES (pipe AISI 316L / 444 / 304L)	EPDM black	-	16	-20 / +120 °C
	steelPRES (pipe 316/003)	EPDM black	Only use internally black pipes. Paying particularly attention to the external protection against corrosion by using a PP covered Pipe + primer (paint) / bandage.	16	-20 / +120 °C
	aesPRES (copper pipe table 4-5)	EPDM black	-	16	-20 / +120 °C
Solar	InoxPRES (pipe AISI 316L / 444 / 304L)	FKM green	-	6	-20 / +220 °C
	steelPRES (pipe 316/005)	FKM green	Only use internally black pipes. Paying particularly attention to the external protection against corrosion by using appropriate insulation-coating.	6	-20 / +220 °C
	aesPRES (copper pipe table 4-5)	FKM green	-	6	-20 / +220 °C
Methane gas Natural gas LPG (gaseous state)	InoxPRES GAS (tubo AISI 316L)	NBR / HNBR yellow	Dimensions: $\varnothing 15 \div 108$ mm	5	-20 / +70 °C
	aesPRES GAS (copper pipe table 4-5)	NBR yellow	Dimensions: $\varnothing 15 \div 54$ mm	5	-20 / +70 °C

⁽¹⁾ For joints till $\varnothing 54$ mm use press machines whose driving force accounts for ≥ 32 KN. For king size fittings ($\varnothing 76 \div 108$ mm), use press machines whose driving force accounts for ≥ 100 KN.

For each country, must be checked with local laws and regulations concerning the use of the press fitting in extinguishing systems and sprinkler installations.

⁽²⁾ For joints till $\varnothing 54$ mm use press machines whose driving force accounts for ≥ 32 KN. For king size fittings ($\varnothing 76 \div 108$ mm), use press machines whose driving force accounts for ≥ 100 KN.

⁽³⁾ Certified VdS PN12,5 $\varnothing 22$ up to 76,1 mm - PN16 $\varnothing 88,9$ mm material AISI 316L [1.4404] - wet and dry.

VdS certification and EN 12845 norm define the possible areas of application for sprinkler systems.

For each country, must be checked with local laws and regulations concerning the use of the press fitting in extinguishing systems and sprinkler installations.

⁽⁴⁾ Only for wet plant installation hazard classes LH, OH1, OH2 and OH3.

TABLE 10a: FIELD OF APPLICATION FOR PRESS FITTING SYSTEMS INOXPRES / STEELPRES / AESPRES

Application	System	O-ring	Notes	PN max (bar)	T °C
Compressed air	inoxPRES (pipe AISI 316L / 444 / 304L)	⁽⁵⁾ EPDM black Class 1÷4 (residual oil < 5 mg/m ³) FKM green Class 5 (residual oil > 5 mg/m ³)	System not silicone-free (not suitable for varnishing systems)	16	Room temperature
	steelPRES	⁽⁵⁾ EPDM black Class 1÷4 (residual oil < 5 mg/m ³) FKM green Class 5 (residual oil > 5 mg/m ³)	System not silicone-free (not suitable for varnishing systems) for systems requiring clean air - without dust formation - the use of the inoxPRES system is recommended	16	Room temperature
	aesPRES (copper pipe table 4-5)	⁽⁵⁾ EPDM black Class 1÷4 (residual oil < 5 mg/m ³) FKM green Class 5 (residual oil > 5 mg/m ³)	System not silicone-free (not suitable for varnishing systems)	16	Room temperature
⁽⁵⁾ According to ISO 8573-1/2010 standard					
Nitrogen in gaseous state	inoxPRES (pipe AISI 316L / 444 / 304L)	EPDM black	Only for industrial use (medicine excluded)	16	Room temperature
	steelPRES	EPDM black	Only for industrial use (medicine excluded)	16	Room temperature
	aesPRES (copper pipe table 4-5)	EPDM black	Only for industrial use (medicine excluded)	16	Room temperature
Argon in gaseous state	inoxPRES (pipe AISI 316L / 444 / 304L)	EPDM black	Only for industrial use (medicine excluded)	16	Room temperature
	steelPRES	EPDM black	Only for industrial use (medicine excluded)	16	Room temperature
	aesPRES (copper pipe table 4-5)	EPDM black	Only for industrial use (medicine excluded)	16	Room temperature
Dry carbon dioxide in gaseous state	inoxPRES (pipe AISI 316L / 444 / 304L)	EPDM black	Only for industrial use (medicine excluded)	16	Room temperature
	steelPRES	EPDM black	Only for industrial use (medicine excluded)	16	Room temperature
	aesPRES (copper pipe table 4-5)	EPDM black	Only for industrial use (medicine excluded)	16	Room temperature
Saturated Steam	inoxPRES (pipe AISI 316L / 304L)	FKM green	-	Max 2 bara Max 1 barg	Max 120 °C
	inoxPRES STEAM ⁽⁷⁾ (pipe AISI 316L / 304L)	STEAM white	-	Max 7 bara Max 6 barg	Max 165 °C
⁽⁷⁾ See the dedicated technical handbook					
Vacuum	inoxPRES (pipe AISI 316L / 444 / 304L)	EPDM black FKM green	-	- 0,8 bar (up to a max. of -0,95/-0,98 bar)	Room temperature
	steelPRES	EPDM black FKM green	for systems requiring clean air - without dust formation - the use of the inoxPRES system is recommended	- 0,8 bar (up to a max. of -0,95/-0,98 bar)	Room temperature
	aesPRES (copper pipe table 4-5)	EPDM black FKM green	-	- 0,8 bar (up to a max. of -0,95/-0,98 bar)	Room temperature
The above mentioned information/compatibility does not exempt the planning manager of the responsibility to create a detailed implementation planning and a risk analysis in accordance with the provisions of Directive 2014/68/UE pressure systems.					

**TABLE 10b: FIELD OF APPLICATION FOR PRESS FITTING SYSTEMS
INOXPRES \varnothing 139,7 - 168,3 mm**

Application	System	O-ring	Notes	PN max. (bar)	T °C
Drinking water	InoxPRES (pipe AISI 316L)	EPDM black	-	16	0 / +120 °C
Heating	InoxPRES (pipe AISI 316L)	EPDM black	-	16	0 / +120 °C
Extinguishing water	InoxPRES (pipe AISI 316L)	EPDM black	-	16	Room temperature
Cooling	InoxPRES (pipe AISI 316L)	EPDM black	-	16	-20 / +120 °C
Compressed air	InoxPRES (pipe AISI 316L)	⁽¹⁾ EPDM black Class 1+4 (residual oil < 5 mg/m ³) FKM green Class 5 (residual oil > 5 mg/m ³)	System not silicone-free (not suitable for varnishing systems)	12,5*	Room temperature
⁽¹⁾ According to ISO 8573-1/2010 standard					
Vacuum	InoxPRES (pipe AISI 316L)	EPDM black	-	-0,8 bar (up to a max of -0,95/-0,98 bar)	Room temperature
The above mentioned information/compatibility does not exempt the planning manager of the responsibility to create a detailed implementation planning and a risk analysis in accordance with the provisions of Directive 2014/68/UE pressure systems.					

*Safety factor = 2,5

3.1 Applications

3.1.1 Potable water, treated water, hydrant systems

The **inoxPRES** press fitting system is manufactured using high alloy austenitic Cr-Ni-Mo stainless steel with the material number AISI 316L (1.4404). Thanks to its high resistance to corrosion and suitability in terms of hygiene, **inoxPRES** can be used for all drinking water applications in accordance with German potable water legislation (TrinkwV). Since this material does not release any heavy metals into the water, the purity of the potable water remains unchanged by the **inoxPRES** press fitting system.

The **aesPRES** press fitting system is available in copper and bronze and it can be used for any drinkable water as it is bacterial-static, thus it inhibits the bacteria proliferation. Should copper tubes and joints used for hydro-sanitary systems, they should comply with limits imposed by the standard DIN 50930 Teil 6:

- ❑ pH $\geq 7,4$ or
- ❑ $7,0 \leq \text{pH} \leq 7,4$ e $\text{TOC} \leq 1,5 \text{ g/m}^3$

The TOC, Total Organic Carbon, is the concentration index of the total organic substances present in the water.

The black EPDM sealing ring fullfils the standards of the KTW recommendations and meets the standards in accordance with DVGW worksheet W 270.

inoxPRES and **aesPRES** with black EPDM sealing rings are suitable for use in the fields of:

- ❑ potable water in cold water, warm water and circulation piping;
- ❑ treated water, such as softened, decarbonated and desalinated water.
- ❑ fire hydrant systems [reference UNI 10779/2021].

The use of anticorrosion or antifreeze additives requires the approval of RM.

inoxPRES and **aesPRES** are not suitable for applications which require a higher degree of water purity than for the quality of potable water, such as for example for pharmaceutical water or purest types of water.



Figure 20 - inoxPRES- Drinkable water



Figure 21 - inoxPRES - Industry

3.1.2 Heating

The **inoxPRES**, **steelPRES** and **aesPRES** press fitting systems with black EPDM sealing rings is used for hot water heating systems in accordance with DIN 4751 which have a flow temperature up to max. 120 °C and maximum pressure PN16: closed and open versions (**inoxPRES** and **aesPRES**), closed version (**steelPRES**).

They are suitable for both on-wall and in-wall installation (with appropriate protections).

In case of floor radiator connections, it is necessary to provide for a consistent corrosion protection, with a joint sealing, made according to the highest standards. Otherwise it is possible to run the risk of washing water penetration hydrating the insulation and thus increasing the risk of corrosion.

The use of anticorrosion or antifreeze additives requires the approval of RM. For **steelPRES** press fitting system RM recommends the use of pipes only galvanised on the outside.

Further information on corrosion protection can be found on page 38, chapter 7.0.

3.1.3 Cooling and refrigeration circuits

inoxPRES, **steelPRES** and **aesPRES** with black EPDM sealing rings are suitable for use cooling and refrigeration circuits in closed and open versions (**inoxPRES** and **aesPRES**), in closed version (**steelPRES**) with operating temperatures between -20 / +120 °C.

The use of anti-corrosion or antifreeze additives requires the approval of RM (excluding glycols on page 25, table 12). For **steelPRES** press fitting system, RM recommends the use of pipes only galvanised on the outside with particular attention to the external protection of the plants in carbon steel (see chapter 4.8).

For corrosion protection and insulation follow the indications in the worksheet AGI Q151.

3.1.4 Compressed air and inert gas

The **inoxPRES**, **steelPRES** and **aesPRES** press fitting system are suitable for pneumatic lines and inert gases. For systems with a residual oil content of class 1 to 4 (according to ISO 8573-1/2010) the black EPDM sealing ring can be used. For systems with a residual oil content of class 5 (according to ISO 8573-1/2010) the green FKM sealing ring can be used. It is loosely supplied and the factory-loaded black EPDM sealing ring is to be replaced by the processor.

If the piping must be "silicone Free", the **inoxpres HT** system (oring FKM fitted in the factory) must be used.

To ensure optimal sealing of compressed air or vacuum lines, it is recommended to humidify the sealing ring with water prior to assembly. In case of necessity of clean air, in absence of dust, the use of **inoxPRES** system is recommended.

3.1.5 Natural Gas / LPG installation

The **inoxPRES GAS** and **aesPRES GAS** press fitting system are suitable for natural gas and LPG following the here below subscriptions:

- **inoxPRES GAS** \varnothing 15 ÷ 108 mm OD with factory-fitted yellow NBR/HNBR sealing ring is approved for natural and liquid gases.
- **aesPRES GAS** \varnothing 15 ÷ 54 mm OD with factory-fitted yellow NBR sealing ring is approved for natural and liquid gases.
- **inoxPRES GAS** and **aesPRES GAS** fittings in dimensions 42 and 54 mm must be pressed with pressing collars/chains; pressing with jaws is not permitted.

- ❑ fittings in sizes 76 ÷ 108 mm must be pressed with pressing collars/chains and UAP100 / UAP100L / UA-P100120BT / ACO401 / ACO403 / ACO403BT pressing machine only (others pressing machines are not approved).

Please verify the local laws/regulations regarding the use of **inoxPRES GAS / aesPRES GAS** for gas applications in UK.

3.1.6 Solar, vacuum, steam, condensation

inoxPRES, **steelPRES** and **aesPRES** with green FKM sealing rings with increased temperature and oil resistance can be used in the following fields of application:

- ❑ solar piping, temperature range -20 /+220 °C.
The temperature range is only permitted for solar systems with water-glycol mixture.
- ❑ vacuum piping up to 200 mbar absolute [- 0,8 bar relative, up to a maximum of -0,95 / -0,98 bar].

In order to achieve optimum sealing of compressed air and vacuum piping, it is recommended that the sealing ring be moistened using water before assembly.

Green FKM sealing rings are supplied loose and the fitter has to use them to replace the factory-fitted black EPDM sealing rings.

For **steelPRES** press fitting system RM recommends the use of pipes only galvanised on the outside.

inoxPRES with green FKM sealing rings can be used in the following fields of application:

- ❑ steam and condensation piping, temperature of maximum 120 °C at steam pressure of max. 2 absolute bar (1 relative bar).

For steam and condensate lines with temperatures up to 165 °C and a pressure up to 7 absolute bar (6 relative bar), **inoxPRES STEAM** fittings can be supplied with a white sealing ring factory-fitted.



Figure 22 - steelPRES - refrigeration (closed circuit)



Figure 23 - steelPRES - Pipe PP coated



Figure 24 - steelPRES- Press fittings

3.1.7 Industrial applications

Due to its higher temperature resistance, **inoxPRES** with red MVQ sealing rings is especially suitable for a multitude of media in industrial applications. An individual case approval from RM is required in this situation.

3.1.8 Shipbuilding

inoxPRES and **marinePRES** are certified for different applications in shipbuilding.

The black EPDM standard sealing ring only is factory-fitted in the siliconised version in **inoxPRES** press fitting.

The green FKM sealing ring only is factory-fitted in **marinePRES** press fitting.

Separate information is available if required.

3.1.9 Extinguishing systems, sprinkler installations

inoxPRES and **aesPRES** systems with black EPDM sealing ring can be used in extinguishing systems (reference norm UNI 10779/2021). In addition, the press fitting systems are suitable for wet and dry sprinkler installations (ref. EN 12845), with diameters from \varnothing 22 up to 108 mm, according to the below table.

TABLE 11: PRESS FITTING IN EXTINGUISHING SYSTEMS AND SPRINKLER INSTALLATIONS

APPLICATION	INOXPRES	AESPRES
Extinguishing systems	✓	✓
Sprinkler system (dry installation)	✓	✗
Sprinkler system (wet installation)	✓	✓

The press fitting systems used in extinguishing systems and sprinkler installations must be only in the configuration "above ground" (underground is excluded). With reference to EN 12845, copper can be used for wet sprinkler systems (no dry) with hazard classes LH, OH1, OH2 and OH3.

inoxPRES is certified to be used with sprinkler installations according to the VdS certification:

- ✗ \varnothing 22 ÷ 76,1 mm PN12,5 bar – \varnothing 88,9 mm PN16 – Material AISI 316L [1.4404] – **inoxPRES** with standard EPDM o-ring for dry and wet sprinkler installations.

VdS certification requires the use of press machines with driving force accounting for \geq 32 kN up to \varnothing 54 mm while for King Size fittings (\varnothing 76 ÷ 108 mm), only use press machines whose driving force accounts for \geq 100 kN (furthermore, the evidence in the VdS approval must be observed).

For each country, must be checked with local laws and regulations concerning the use of the press fitting in extinguishing systems and sprinkler installations.

3.1.10 Glycols for installation

The following table lists some glycols normally used for heating systems, cooling and solar systems. Should glycols be used, which are not listed in the table, please contact the technical office of Raccorderie Metalliche.

TABLE 12: CHEMICAL COMPATIBILITY OF GLYCOLS

GLICOLE	Manufacturer	Areas of use
GLYKOSOL N	Pro Kühlsole GmbH	Heating Cooling cycles
PEKASOL L	Pro Kühlsole GmbH	Heating Cooling cycles
PEKASOLar 50	Pro Kühlsole GmbH	Solar
PEKASOLar 100	Pro Kühlsole GmbH	Solar
PEKASOLar F	BMS Energy	Solar
TYFOCOR	Tyforop Chemie GmbH	Heating Cooling cycles
TYFOCOR L	Tyforop Chemie GmbH	Heating Cooling cycles Solar
TYFOCOR LS	Tyforop Chemie GmbH	Solar
CosmoSOL	Tyforop Chemie GmbH	Heating Cooling cycles Solar
Antifrogen N	Clariant	Heating Cooling cycles
Antifrogen L	Clariant	Heating Cooling cycles
Antifrogen SOL-HT	Clariant	Solar
DOWNCAL 100	DOW	Heating Cooling cycles
DOWNCAL 200	DOW	Heating Cooling cycles
SOLARLIQUID L	STAUB & CO. – SILBERMANN GmbH	Solar
STAUBCO® COOL N	STAUB & CO. – SILBERMANN GmbH	Heating Cooling cycles
STAUBCO® COOL L	STAUB & CO. – SILBERMANN GmbH	Heating Cooling cycles
Glysofor N	WITTIG Umweltchemie GmbH	Heating Cooling cycles
Glysofor L	WITTIG Umweltchemie GmbH	Heating Cooling cycles

NOTE: please follow the manufacturer's utilization notes, EPDM sealing o-ring with maximum 40% glycol and 60% water. For **steelPRES**, please only use internally black pipes.

4.0 Processing

4.1 Storage and transport

inoxPRES / steelPRES / aesPRES / marinePRES system components have to be protected against dirt and damage during transport and storage. The ends of the pipes are factory-fitted with plugs/caps to prevent dirt.

The pipes must be stored in a device with a protective coating or plastic alloy, so that they do not come in contact with other materials. Moreover, pipes as well as press fitting must be stored in a covered area protected against effects of humidity in order to prevent corrosion and/or oxidation of the surface to avoid (particularly in the area of the **steelPRES** press fitting systems).

4.2 Pipes - cutting to length, deburring, bending

The pipes should be cut to length using professional pipe cutters which are suitable for the material in use. Alternatively, fine-tooth hacksaws or suitable electric saws may be used. The cut has to be perpendicular to avoid negative impact on the mechanical resistance between fitting and pipe.

Only use suitable tools that are suitable for the material to be processed. Particular attention must be paid, for example, to the choice of the right saw blades or cutting wheels that are used.

The cutting and deburring tools must be clean, free from adherence or chips. After cutting / deburring, the cutting edges or pipe ends must be cleaned or freed from chips or impurities.

Not permitted are:

- ❌ tools which cause tarnishing during the cutting operation;
- ❌ oil-cooled saws;
- ❌ flame cutting or angle grinders.

To avoid damaging the sealing ring when inserting the pipe into the press fitting, the pipe must be carefully deburred, both inside and outside, following cutting to length. This can be carried out using manual deburring tools which are

suitable for the material in use, whilst for larger dimensions suitable electrical pipe deburring tools or files can be used. The pipes can be bent by means of conventional bending tools up to 22 mm outer diameter ($R \geq 3,5xD$).

Copper pipes according to EN 1057 can be bended with the following minimum bending radius:

DN 12 - R=45 mm	DN 15 - R=55 mm
DN 18 - R=70 mm	DN 22 - R=77 mm.



No tube hot bending allowed.



Figure 25 - Cutting the pipe to length



Figure 26 - Deburring the pipe

BENDING MACHINES		
DN	Radial bending Allowed	Axial bending Not Allowed
12 mm		
15 mm		
18 mm		
22 mm		

The instructions of use and operation of the bending machines have to be carefully observed.

4.3 Marking the insertion depth / stripping

Sufficient mechanical strength of the press fitting connection will only be achieved if the insertion depths shown in table 13 are adhered to. These insertion depths are valid for pipes or fittings with insertion ends (i.e. fittings without pressfit end) and must be marked using a suitable marking tool.

The marking of the insertion depth on the pipe must be visible directly next to the press fitting formed end following pressing. The distance of the marking on the pipe/

fitting from the press fitting formed end may not exceed 10% of the required insertion depth, since otherwise the mechanical stability of the connection cannot be guaranteed. In the case of **steelPRES** PP-coated pipes, the insertion depth is defined through the stripping of the plastic coating using a suitable stripping tool.

When stripping the PP-sheathed tubes, use suitable tools which do not damage the raw surface.

TABLE 13:
INSERTION DEPTH AND MINIMUM DISTANCES

Pipe outside diameter mm	A (*) mm	D mm	L mm
12	18	20	56
15	20	20	60
18	20	20	60
22	21	20	62
28	23	20	66
35	26	20	72
42	30	40	100
54	35	40	110
76,1	55	60	170
88,9	60	60	180
108	75	60	210
139,7	95	100	290
168,3	113	100	326

(*) Tolerance: ± 2 mm

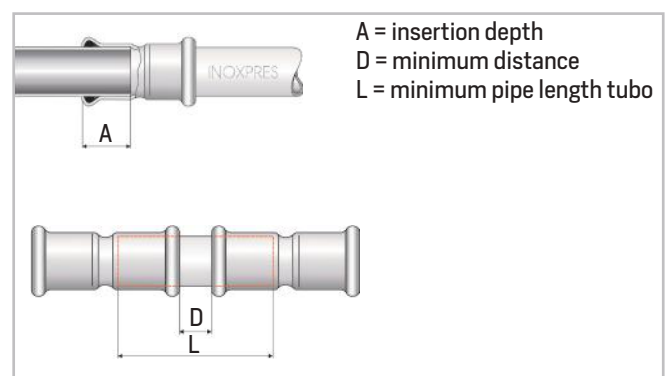


Figure 27 - Insertion depth and minimum dimensions



Figure 28 - Marking the insertion depth



Figure 29 - Stripping (steelPRES PP coated)

4.4 Press fitting seal ring check

Before assembly the sealing ring must be checked to ensure that it is lying in the pressing groove correctly and that it is clean and undamaged.

If necessary, the sealing ring should be replaced.

Additionally, the fitter should check whether the ring in position is suitable for the special application, or whether another sealing ring needs fitting.



Figure 30 - Checking the sealing ring

4.5 Making the press connection $\varnothing 12 - 108$ mm

Using light pressure and making a turning movement at the same time, press the pipe into the press fitting up to the marked insertion depth. If the tolerances are so narrow that additional force is required to insert the pipe into the press fitting, then water or soapy water may be used as a lubricant.

Oil and grease are not permitted for use as lubricants.

Pressing is carried out using suitable electromechanical/ electrohydraulic pressing tools and dimension-matching pressing jaws or collars/chains. Tested and approved pressing tools or pressing jaws/collars/chains are listed under table 8 - 9, approved pressing tools.

The matching pressing jaw is mounted in the pressing machine, or the appropriate collar/chain mounted on the fitting, depending on the dimensions of the press fitting. The slot of the pressing jaw/collar must be positioned exactly over the press fitting formed end.

Following pressing, the complete connection should then be checked to ensure that the work has been carried out correctly and that the insertion depth is correct.

The fitter should also ensure that all connections have actually been pressed.

React immediately in the event of an unusual press pattern.

Completely pressed systems with faulty press patterns or profiles cannot be fully recognized as a complaint.



Figure 31 - Inserting pipe into the press fitting

Following completed pressing, the pressing points may not be subjected to further mechanical loading. The positioning and straightening of the pipes and the sealing of threaded connections must therefore take place before the pressing is carried out. Slight movement and lifting of pipes, for example for painting work, is permitted.



Figure 32 - Making the press connection



Figure 33 - Checking the press connection

4.6 The Oversize range \varnothing 139-168 mm

Unlike diameters up to 108 mm, the pressing phases of the Oversize 139,7 and 168,3 mm dimensions must be carried out in two distinct pressing phases.

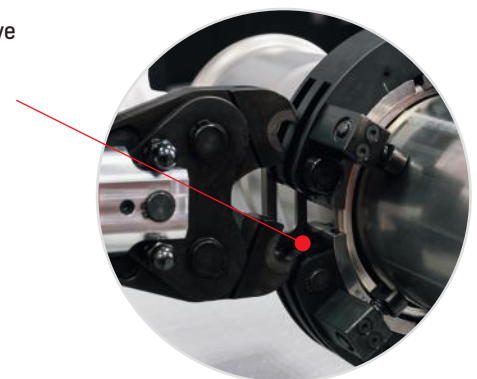
1st PRESSING PHASE

- | | |
|--------------------------------------------------------------------------------------------------------------------------------------------------------------------------------------------------------------|--------------------------------------------------------------------------------------------------------------------------------------------------------------------------------------------|
| <p>a) Open the chain and place it around the fitting: the groove of the chain must be positioned exactly above the toroidal chamber of the fitting.</p> <p>b) Close the chain and press the lock button.</p> | <p>c) Rotate the latch inwards and engage the lock.</p> <p>d) Carry out pressing operation n° 1.</p> <p>e) Unhook and rotate the latch, open the chain and remove it from the fitting.</p> |
|--------------------------------------------------------------------------------------------------------------------------------------------------------------------------------------------------------------|--------------------------------------------------------------------------------------------------------------------------------------------------------------------------------------------|



Figure 34 - Press assembly phase 1

Chain groove above
the o-ring groove



2nd PRESSING PHASE

- | | |
|-----------------------------------------------------------------------------------------------------------------------------------------------------------------------------------------------|--------------------------------------------------------------------------------------------------------------------------------------------------------------------------------------------|
| <p>a) Position the chain around the pipe socket, aligning it with the appropriate guides above the containment groove of the o-ring.</p> <p>b) Close the chain and press the lock button.</p> | <p>c) Rotate the latch inwards and engage the lock.</p> <p>d) Carry out pressing operation n° 2.</p> <p>e) Unhook and rotate the latch, open the chain and remove it from the fitting.</p> |
|-----------------------------------------------------------------------------------------------------------------------------------------------------------------------------------------------|--------------------------------------------------------------------------------------------------------------------------------------------------------------------------------------------|



Figure 35 – Press assembly phase 2

After pressing, the connection must be checked to ensure that the work has been carried out correctly and that the insertion depth is correct.

The fitter must also ensure that all connections have been adequately pressed.

Once pressing has been complete, the connections must not be subjected to further mechanical loads.

The alignment of the pipeline and the fixing of the threaded connections must therefore be carried out before pressing. Slight movement and lifting of pipes, e.g. for painting work, is permitted.

Guides over the o-ring groove



Figure 36 – Visual inspection of oversized pressing

4.7 Equipment installations in Australia/New Zealand

Possibly tube and joint installations in Australia or New Zealand should comply with regulation AS/NZS 3500.1 and following amendments.

4.8 Protection of pipelines and connections from external corrosion - general

All pipes with hot or cold liquids must be protected externally by appropriate coatings so as to avoid any unwanted incidents, such as:

- condensation;
- condensation with external corrosion;
- corrosion by external influences;
- thermal dispersion.

Pipes and connections must be protected with varnish, plastic coatings, press-on tyres with adhesive tapes and thermal insulation (see Chapter 5.4 of the Manual).



Figure 37 – Varnish of the connections and pipes with primer.

To prevent external corrosion of **steelPRES** systems – especially where condensation water could increasingly occur (e.g. air conditioning and cooling units) – the following is recommended:

- use tubes with a propylene coating if tubes of non-alloy steel are used;
- proper protection of tubes/connections with the help of a coating with primer;
- proper protection of tubes/connections with the help of viscoelastic tape, consisting of butanol-mastic, supported by a film made of high-density polyethylene (entire thickness approx. 0,8 mm).

The butanol-adhesive tape (type RM code 850NS000000) has high tensile and high adhesive strength and is self-fluxing. It requires no adherent primer, lets surfaces perfectly repel water and insulates against atmospheric influences and free chemicals. The high tensibility provides the tapes with comprehensive applicability for all types of surfaces, even for irregular surfaces such as bends, T-piece, sleeves, etc.

For the application, it is sufficient that the surface is clean but not wet. The tape must be under pressure and cleaned depending on the situation. It extends over 700% compared to its original length, while the width at the end depends on the extension. It is recommended to overlap the tape with at least 10% of the tape width.

A coating protection with the help of tapes and/or varnish must always occur after a trial run of the system.

Important: the choice and the implementation of the type of protection against external corrosion is responsibility of the planner and installer.



Figure 38 – Protection of the connectors with butanol adhesive tape

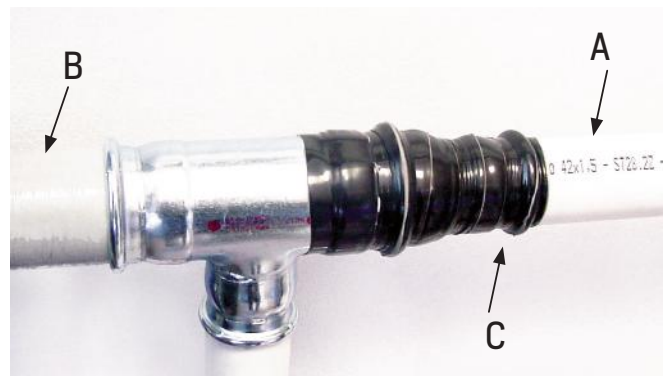


Figure 39 – Protection against external corrosive materials:

- A. Pipe with PP-coating
- B. Varnish with primer
- C. Protection with butanol adhesive tape

4.9 Minimum distances and space requirement for pressing

To carry out pressing correctly, there must be a minimum distance between the pipe and the building, and from pipe to pipe, as shown in tables 14 and 15.

TABLE 14: MINIMUM DISTANCES AND SPACE REQUIREMENT 12 - 35 mm

Pipe	Figure 40		Figure 41			Figure 42				Figure 43	
	A	D	A	D	D1	A	C	D	D1	D	E
12	56	30	75	30	35	85	155	30	35	40	60
15	56	30	75	30	35	85	155	30	35	40	60
18	60	30	75	30	40	85	165	30	40	40	60
22	75	40	80	40	40	85	165	40	40	40	61
28	82	40	90	40	45	90	180	40	45	40	63
35	85	40	90	40	45	90	180	40	45	40	66

TABLE 15: MINIMUM DISTANCES 42 - 168,3 mm

Pipe	Figure 43		Figure 44		
	D	E	A	B	C
42	50	80	150	150	110
54	50	85	150	150	110
76,1	60	115	170	210	170
88,9	60	120	190	260	190
108	60	135	200	320	280
139,7	70	165	250	350	250
168,3	70	185	260	350	260

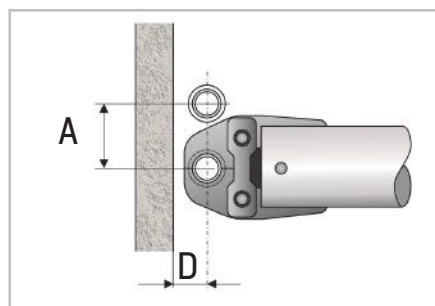


Figure 40 - Minimum distances and space requirements

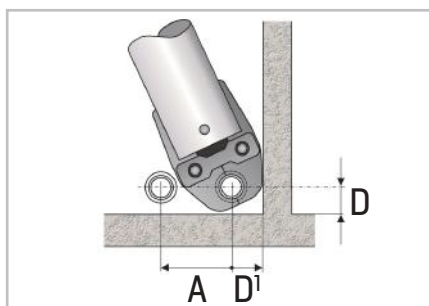


Figure 41 - Minimum distances and space requirements

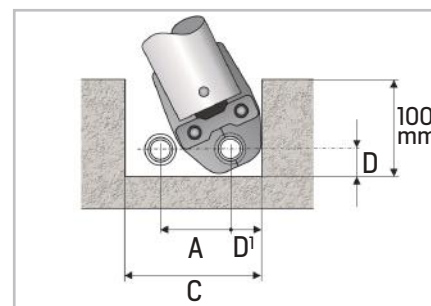


Figure 42 - Minimum distances and space requirements

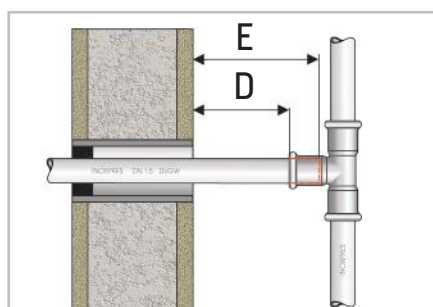


Figure 43 - Minimum distances and space requirements

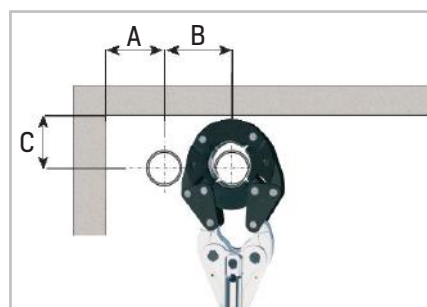


Figure 44 - Minimum distances for chains / collars

4.10 Thread or flange connections

Press fittings can be connected using normal trade threaded fittings in accordance with ISO 7-1 (thread standard DIN 2999) or ISO 228 (thread standard DIN 259) or with fittings made of stainless steel or non-ferrous metals. When sealing threaded connections, no sealant containing chloride (for example teflon tapes) may be used. The flanges available from the **inoxPRES** / **steelPRES** / **marinePRES** range can be connected to normal flanges at pressure stage PN 6 / 10 / 16. During installation, first the thread/flange connection must be completed, then the press connection.

IMPORTANT

For security reasons, the transition from Raccorderie Metalliche press fitting systems' to the multilayer pipe systems' should be realized through a threaded connection. All that, in order to avoid single cases of losses after pressing, caused by fittings' matching of different manufacturers and of different materials (brass / steel).

5.0 Planning

5.1 Pipe fixing, distances between clamps

Pipe supports serve to fix the pipe to the ceiling or wall and should take up changes in length which result from temperature variations. Through the setting of fixed and sliding points the length variations in the pipe are steered in the required direction.

Pipe supports may not be mounted on fittings. Sliding supports must be so positioned that they do not prevent the piping from moving.

For fixing and installing the pipes, please follow the UNI EN 806-4 standards and the supplementary national standard DIN 1988-200. Crucial are also the fluids and the temperature. For gas / sprinkler installations and firefighting waters, the dimensions mentioned in table 16 are not valid.

The maximum permitted support distances for **inoxPRES** / **steelPRES** / **aesPRES** / **marinePRES** pipes are shown in table 16.

TABLE 16: MAXIMUM PERMITTED DISTANCES BETWEEN SUPPORTS - EN 806-4

DN	Pipe outside diameter (mm)	Horizontal spacing in meters (recommended)	Vertical spacing in meters (recommended)
10	12	1,2	1,8
12	15	1,2	1,8
15	18	1,2	1,8
20	22	1,8	2,4
25	28	1,8	2,4
32	35	2,4	3,0
40	42	2,4	3,0
50	54	2,7	3,6
65	76,1	3,0	3,6
80	88,9	3,0	3,6
100	108	3,0	3,6
125	139,7	3,6	4,2
150	168,3	3,6	4,2

5.2 Expansion compensation

Metal materials expand in different ways under the influence of heat.

The longitudinal change under various temperature differences in the pipe is shown for **inoxPRES**, **steelPRES**, **aesPRES** and **marinePRES** in table 17. The longitudinal change can be compensated for through the correct setting of fixed and sliding points, the installation of compensators, s-bends, u-bends or expansion compensators and by the creation of sufficient expansion spaces. Typical installations are shown in figures 45 a - c.

TABLE 17: LENGTH VARIATIONS INOXPRES / STEELPRES / AESPRES / MARINEPRES

	L [m]	Δt [°K]									
		10	20	30	40	50	60	70	80	90	100
inoxPRES	3	0,5	1,0	1,5	2,0	2,5	3,0	3,5	4,0	4,5	5,0
	4	0,7	1,3	2,0	2,6	3,3	4,0	4,6	5,3	5,9	6,6
	5	0,8	1,7	2,5	3,3	4,1	5,0	5,8	6,6	7,4	8,3
	6	1,0	2,0	3,0	4,0	5,0	5,9	6,9	7,9	8,9	9,9
	7	1,2	2,3	3,5	4,6	5,8	6,9	8,1	9,2	10,4	11,6
	8	1,3	2,6	4,0	5,3	6,6	7,9	9,2	10,6	11,9	13,2
	9	1,5	3,0	4,5	5,9	7,4	8,9	10,4	11,9	13,4	14,9
	10	1,7	3,3	5,0	6,6	8,3	9,9	11,6	13,2	14,9	16,5
	12	2,0	4,0	5,9	7,9	9,9	11,9	13,9	15,8	17,8	19,8
	14	2,3	4,6	6,9	9,2	11,6	13,9	16,2	18,5	20,8	23,1
	16	2,6	5,3	7,9	10,6	13,2	15,8	18,5	21,1	23,8	26,4
	18	3,0	5,9	8,9	11,9	14,9	17,8	20,8	23,8	26,7	29,7
20	3,3	6,6	9,9	13,2	16,5	19,8	23,1	26,4	29,7	33,0	
steelPRES	3	0,4	0,7	1,1	1,4	1,8	2,2	2,5	2,9	3,2	3,6
	4	0,5	1,0	1,4	1,9	2,4	2,9	3,4	3,8	4,3	4,8
	5	0,6	1,2	1,8	2,4	3,0	3,6	4,2	4,8	5,4	6,0
	6	0,7	1,4	2,2	2,9	3,6	4,3	5,0	5,8	6,5	7,2
	7	0,8	1,7	2,5	3,4	4,2	5,0	5,9	6,7	7,6	8,4
	8	1,0	1,9	2,8	3,8	4,8	5,8	6,7	7,7	8,6	9,6
	9	1,1	2,2	3,2	4,3	5,4	6,5	7,6	8,6	9,7	10,8
	10	1,2	2,4	3,6	4,8	6,0	7,2	8,4	9,6	10,8	12,0
	12	1,4	2,9	4,3	5,8	7,2	8,4	10,1	11,5	13,0	14,4
	14	1,6	3,4	5,1	6,7	8,4	10,1	11,8	13,4	15,1	16,8
	16	1,9	3,8	5,7	7,7	9,6	11,5	13,4	15,4	17,3	19,2
	18	2,2	4,3	6,4	8,6	10,8	13,0	15,1	17,3	19,4	21,6
20	2,4	4,8	7,2	9,6	12,0	14,4	16,8	19,2	21,6	24,0	
aesPRES / marinePRES	3	0,5	1,0	1,5	2,0	2,6	3,1	3,6	4,1	4,6	5,1
	4	0,7	1,4	2,0	2,7	3,4	4,1	4,8	5,4	6,1	6,8
	5	0,9	1,7	2,6	3,4	4,3	5,1	6,0	6,8	7,7	8,5
	6	1,0	2,0	3,1	4,1	5,1	6,1	7,1	8,2	9,2	10,2
	7	1,2	2,4	3,6	4,8	6,0	7,1	8,3	9,5	10,7	11,9
	8	1,4	2,7	4,1	5,4	6,8	8,2	9,5	10,9	12,2	13,6
	9	1,5	3,1	4,6	6,1	7,7	9,2	10,7	12,2	13,8	15,3
	10	1,7	3,4	5,1	6,8	8,5	10,2	11,9	13,6	15,3	17,0
	12	2,0	4,1	6,1	8,2	10,2	12,2	14,3	16,3	18,4	20,4
	14	2,4	4,8	7,1	9,5	11,9	14,3	16,7	19,0	21,4	23,8
	16	2,7	5,4	8,2	10,9	13,6	16,3	19,0	21,8	24,5	27,2
	18	3,1	6,1	9,2	12,2	15,3	18,4	21,4	24,5	27,5	30,6
20	3,4	6,8	10,2	13,6	17,0	20,4	23,8	27,2	30,6	34,0	

Total linear expansion

$$\Delta L = L \times \alpha \times \Delta t$$

ΔL = linear expansion in mm

L = pipe length in m

α = linear expansion coefficient

inoxPRES $\alpha = 0,0165 \text{ mm} / (\text{m} \times ^\circ\text{K})$

steelPRES $\alpha = 0,0120 \text{ mm} / (\text{m} \times ^\circ\text{K})$

aesPRES / marinePRES $\alpha = 0,017 \text{ mm} / (\text{m} \times ^\circ\text{K})$

Δt = temperature difference in $^\circ\text{K}$

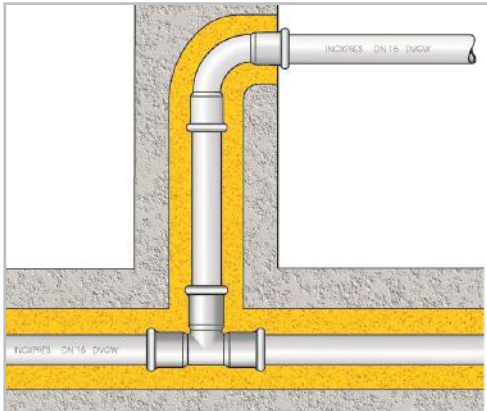


Figure 45a - Creation of expansion spaces

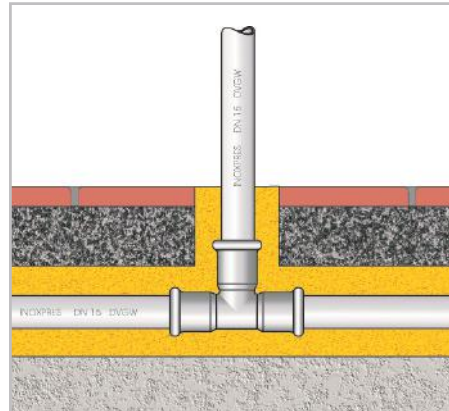


Figure 45b - Creation of expansion spaces

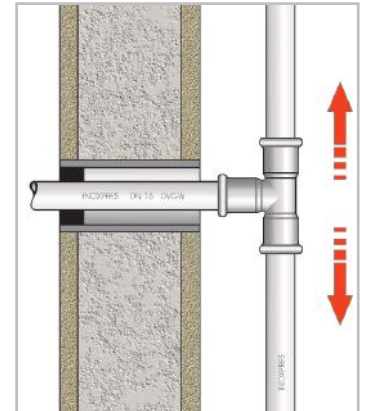


Figure 45c - Creation of expansion spaces

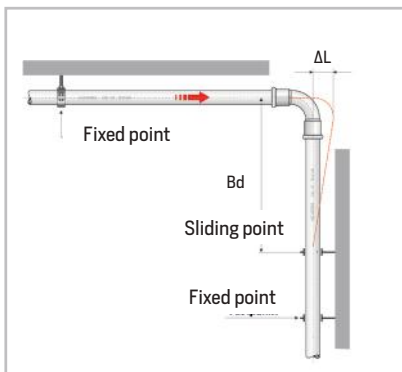


Figure 46 - Orthogonal-shaped expansion reach

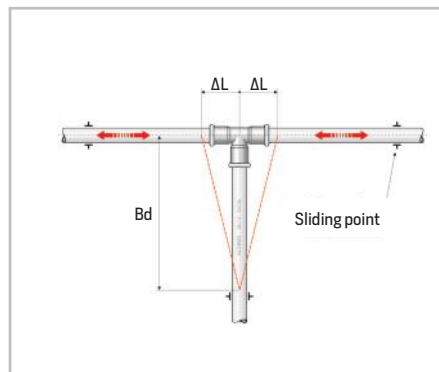


Figure 47 - Expansion compensation branch

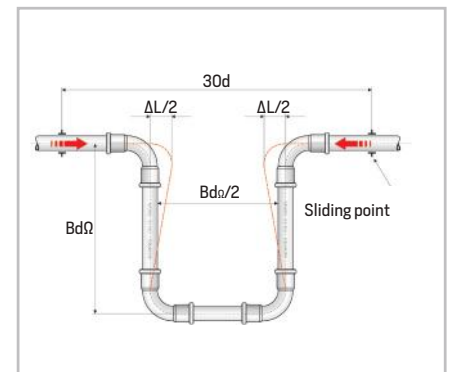


Figure 48- U-bend $Bd\Omega = Bd / 1,8$

**Calculation formula Orthogonal - bend and T - junction
(figure 46 e 47)**

$$Bd = k \times \sqrt{(da \times \Delta L)} \text{ [mm]}$$

- k = constant material
 - inoxPRES** = 60 for σ [sigma] 190 N/mm²
 - steelPRES** = 57 for σ [sigma] 190 N/mm²
 - aesPRES** = 51 for σ [sigma] 140 N/mm²
 - marinePRES** = 63 for σ [sigma] 105 N/mm²
- da = outer diameter pipe in mm
- ΔL = linear expansion in mm

**Calculation formula U bend
(figure 48)**

$$Bd\Omega = k \times \sqrt{(da \times \Delta L)} \text{ [mm]} \text{ or } Bd\Omega = Bd / 1,8$$

- k = constant material
 - inoxPRES** = 34 for σ [sigma] 190 N/mm²
 - steelPRES** = 32 for σ [sigma] 190 N/mm²
 - aesPRES** = 28 for σ [sigma] 140 N/mm²
 - marinePRES** = 35 for σ [sigma] 105 N/mm²
- da = outer diameter pipe in mm
- ΔL = linear expansion in mm

TABLE 18a: CALCULATION OF THE EXPANSION REACH
 $\phi 15 \div 168,3$ mm (Bd) INOXPRES

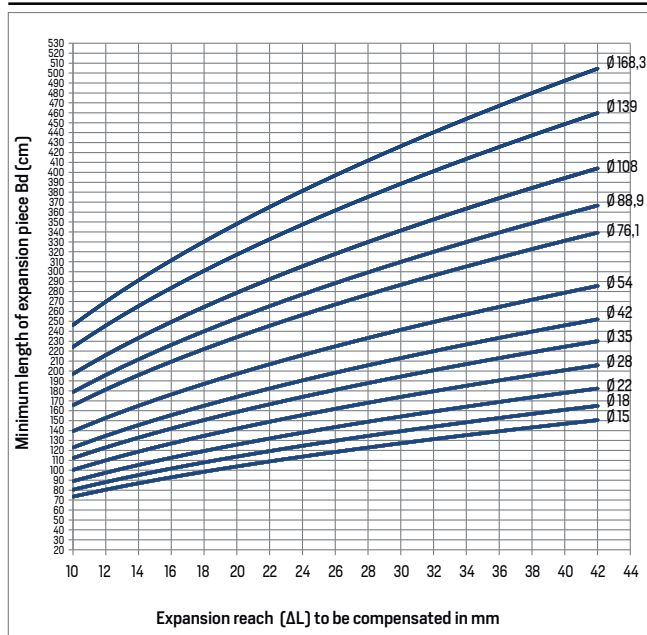


TABLE 18b: EXPANSION PIECE FOR U-BEND
 $\phi 15 \div 108$ mm (BdΩ) INOXPRES

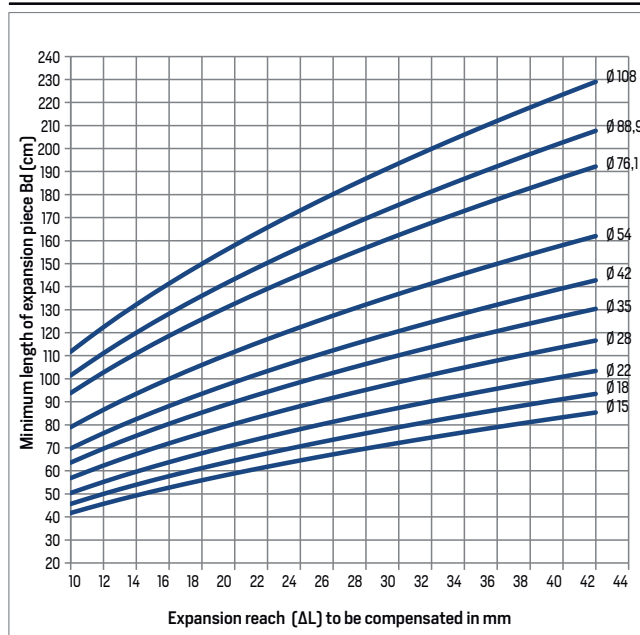


TABLE 19a: CALCULATION OF THE EXPANSION REACH
 $\phi 12 \div 108$ mm (Bd) STEELPRES

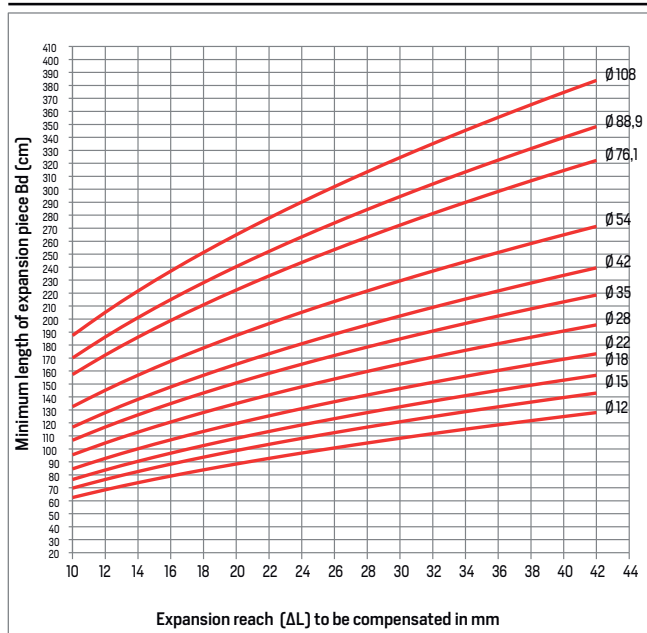


TABLE 19b: EXPANSION PIECE FOR U-BEND
 $\phi 12 \div 108$ mm (BdΩ) STEELPRES

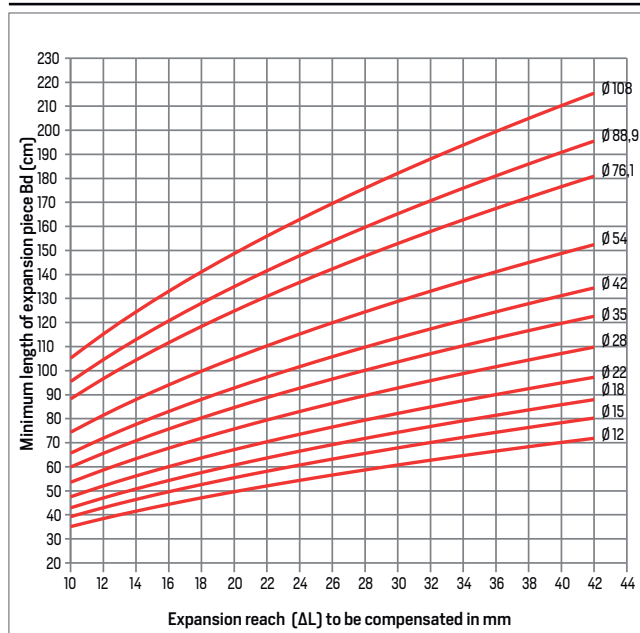


TABLE 20a: CALCULATION OF THE EXPANSION REACH
 $\phi 12 \div 54$ mm (Bd) AESPRES

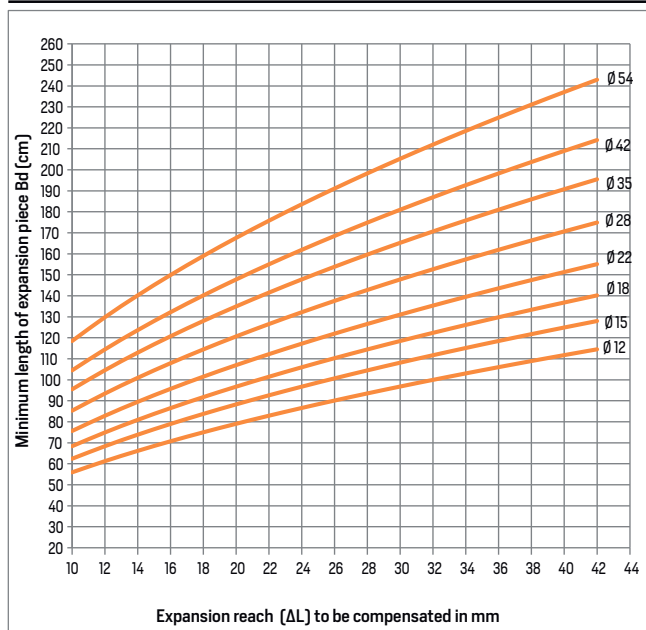


TABLE 20b: EXPANSION PIECE FOR U-BEND
 $\phi 12 \div 54$ mm (BdΩ) AESPRES

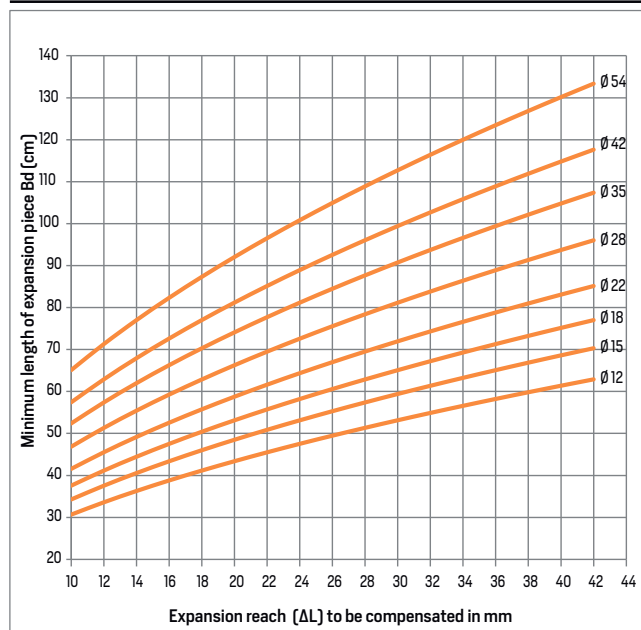


TABLE 21a: CALCULATION OF THE EXPANSION REACH
 $\phi 15 \div 108$ mm (Bd) MARINEPRES

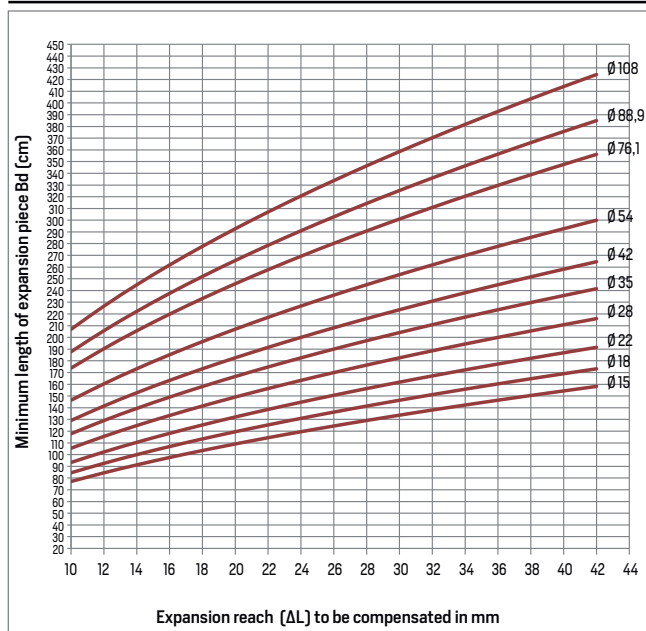
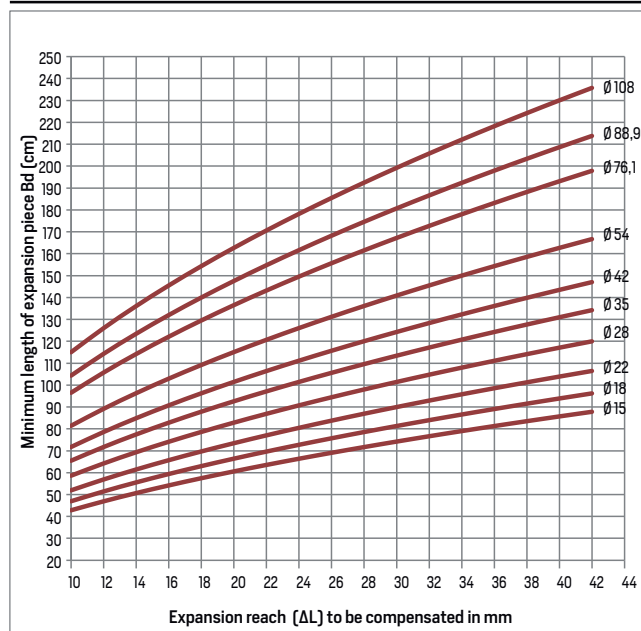


TABLE 21b: EXPANSION PIECE FOR U-BEND
 $\phi 15 \div 108$ mm (BdΩ) MARINEPRES



5.3 Thermal emission

Depending on temperature difference, warm piping releases heat into the environment.

The thermal emission from **inoxPRES** / **steelPRES** pipes can be seen in tables 22 and 23.

TABLE 22: THERMAL EMISSION FROM INOXPRES / STEELPRES PIPE (W/m) UNCOVERED

d x s (mm)		ΔT TEMPERATURE DIFFERENCE (°K)									
I	S	10	20	30	40	50	60	70	80	90	100
-	12 x 1,2	3,7	7,5	11,2	14,9	18,6	22,4	26,1	29,8	33,5	37,3
15 x 1	15 x 1,2	4,7	9,3	14,0	18,6	23,3	28,0	32,6	37,3	41,9	46,6
18 x 1	18 x 1,2	5,6	11,2	16,8	22,4	28,0	33,6	39,2	44,8	50,4	55,9
22 x 1,2	22 x 1,5	6,8	13,7	20,5	27,4	34,2	41,0	47,9	54,7	61,5	68,4
28 x 1,2	28 x 1,5	8,7	17,4	26,1	34,8	43,5	52,2	60,9	69,6	78,3	87,1
	35 x 1,5	10,9	21,8	32,7	43,5	54,4	65,3	76,2	87,1	98,0	108,8
	42 x 1,5	13,1	26,1	39,2	52,3	65,3	78,4	91,4	104,5	117,6	130,6
	54 x 1,5	16,8	33,6	50,4	67,2	84,0	100,8	117,6	134,4	151,2	168,0
	76,1 x 2	23,7	47,3	71,0	94,7	118,4	142,0	165,7	189,4	213,1	236,7
	88,9 x 2	27,7	55,3	83,0	110,6	138,3	165,9	193,6	221,2	248,9	276,6
	108 x 2	33,6	67,2	100,8	134,4	168,0	201,6	235,2	268,8	302,4	336,0
139,7 x 2 • 139,7 x 2,6		43,4	86,8	130,3	173,7	217,1	260,5	304,0	347,4	390,8	434,2
168,3 x 2 • 168,3 x 2,6		52,3	104,6	156,9	209,3	261,6	313,9	366,2	418,5	470,8	523,2

External inlet-coefficient $\alpha_e = 10 \text{ W}/(\text{m}^2 \times \text{°K})$

TABLE 23: THERMAL EMISSION FROM STEELPRES PIPE IN PP (W/m) COVERED

S dxs(mm)	ΔT TEMPERATURE DIFFERENCE (°K)									
	10	20	30	40	50	60	70	80	90	100
12 x 1,2	3,7	7,5	11,2	15,0	18,7	22,5	26,2	30,0	33,7	37,5
15 x 1,2	4,6	9,1	13,7	18,2	22,8	27,3	31,9	36,5	41,0	45,6
18 x 1,2	5,4	10,7	16,1	21,5	26,8	32,2	37,6	42,9	48,3	53,7
22 x 1,5	6,4	12,9	19,3	25,8	32,2	38,7	45,1	51,5	58,0	64,4
28 x 1,5	8,1	16,1	24,2	32,2	40,3	48,4	56,4	64,5	72,5	80,6
35 x 1,5	9,9	19,9	29,8	39,8	49,7	59,7	69,6	79,6	89,5	99,5
42 x 1,5	11,8	23,7	35,5	47,3	59,2	71,0	82,8	94,7	106,5	118,3
54 x 1,5	15,1	30,1	45,2	60,3	75,3	90,4	105,5	120,5	135,6	150,7
76,1 x 2	21,0	42,0	63,1	84,1	105,1	126,1	147,1	168,1	189,2	210,2
88,9 x 2	24,5	48,9	73,4	97,9	122,3	146,8	171,3	195,7	220,2	244,7
108 x 2	29,6	59,2	88,8	118,5	148,1	177,7	207,3	236,9	266,5	296,1

External inlet-coefficient $\alpha_e = 9 \text{ W}/(\text{m}^2 \times \text{°K})$

The thermal emission of **aesPRES** and **marinePRES** pipes are shown in the following table.

TABLE 24: THERMAL EMISSION FROM AESPRES AND MARINEPRES [W/m] UNCOVERED

A - M d x s (mm)	ΔT TEMPERATURE DIFFERENCE (°K)									
	10	20	30	40	50	60	70	80	90	100
15 x 1	5,1	10,2	15,4	20,5	25,6	30,7	35,9	41,0	46,1	51,2
18 x 1	6,1	12,3	18,4	24,6	30,7	36,9	43,0	49,2	55,3	61,5
22 x 1	7,5	15,0	22,6	30,1	37,6	45,1	52,6	60,1	67,7	75,2
28 x 1,5	9,6	19,1	28,7	38,3	47,8	57,4	67,0	76,5	86,1	95,7
35 x 1,5	12,0	23,9	35,9	47,8	59,8	71,8	83,7	95,7	107,6	119,6
42 x 1,5	14,4	28,7	43,1	57,4	71,8	86,1	100,5	114,8	129,2	143,5
54x1,5•54x2	18,5	36,9	55,4	73,8	92,3	110,8	129,2	147,7	166,1	184,6
76,1 x 2	26,0	52,0	78,0	104,0	130,1	156,1	182,1	208,1	234,1	260,1
88,9 x 2	30,4	60,8	91,2	121,6	151,9	182,3	212,7	243,1	273,5	303,9
108 x 2,5	36,9	73,8	110,7	147,6	184,6	221,5	258,4	295,3	332,2	369,1

External inlet-coefficient $\alpha_e = 11 \text{ W}/(\text{m}^2 \times \text{°K})$

5.4 Insulation

To minimise the unwanted thermal emission from piping, the minimum insulation thicknesses should be maintained.

The following rules must be observed:

- ❑ DIN 4108 Thermal insulation in buildings;
- ❑ energy Saving Ordinance (EnEV);
- ❑ thermal Insulation Ordinance (WSchutzV).

Furthermore, national regulations should be observed as necessary.

In addition, insulating the piping can prevent water condensing, outside corrosion, unwanted warming of the medium being transported and unwanted noise production and transmission. Cold water pipes must be insulated so that the potable water quality is not affected through warming.

The installer is responsible for the correct and professional insulation execution.

It is extremely important to ensure that the transitions, joints and fittings of the installation are sealed / glued to prevent humidity from penetrating in any condition.

For the insulation of **inoxPRES** pipes only insulation materials which contain less than 0,05% water soluble chloride ions may be used. Insulation materials of AS quality in accordance with AGI-Q135 are well below this value and thus suitable for use with **inoxPRES**.

Guideline values for minimum insulation material thickness are shown in table 25.

TABLE 25: MINIMUM INSULATION MATERIAL THICKNESS FOR PIPING

Piping cold water		Piping hot water	
Type of installation	Insulation material thickness in mm $\lambda = 0,040 \text{ W/ (m x } ^\circ\text{K)}$	OD in mm	Insulation material thickness in mm $\lambda = 0,040 \text{ W/ (m x } ^\circ\text{K)}$
Piping uncovered, not heated (i.e. cellar)	4	12	20
Piping uncovered without hot water lines	9	15	20
Piping in channel, no hot water lines	4	18	20
Piping in channel, along with hot water	13	22	20
Piping in wall slit, risers	4	28	30
Piping in wall gap, along with hot water	13	35	40
Piping on concrete floor	4	42	40
		54	50
		76,1	65
		88,9	80
		108	100
		139,7	100
		168,3	100

5.5 Soundproofing (DIN 4109)

Noise in potable water and heating installations is produced mainly in tap fittings and sanitary items. The piping can then transfer this sound to the building itself, subsequently producing the irritating airborne sound.

By using soundproofed holders, and by soundproofing the piping, the sound transfer can be greatly reduced.

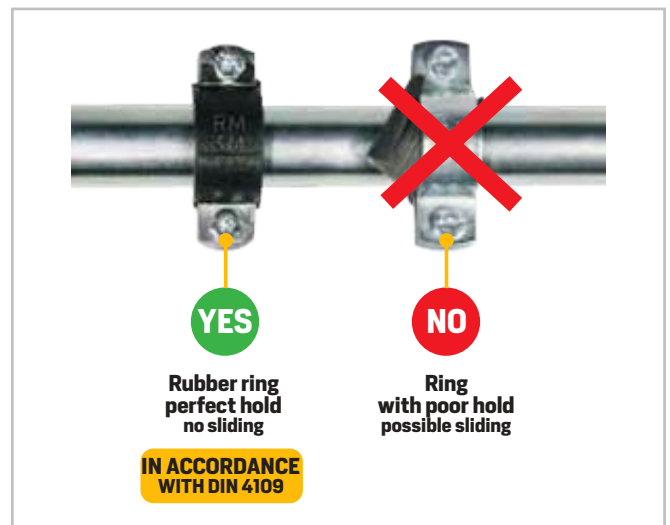


Figure 49 - Rubber ring PRATIKO in conformity with DIN 4109 (Unit RM Series 355/G - 351/G - 555/G - 156/G)

5.6 Fire prevention

inoxPRES / steelPRES / aesPRES / marinePRES pipes are classed as a non-flammable material in building material class A in accordance with DIN 4102-1. **steelPRES** pipes with PP coating are classed as a non-flammable dripping material in building material class B2 in accordance with DIN 4102-1. Further national requirements in terms of fire prevention are most effectively fulfilled by use of fire-retarding sealing techniques.

5.7 Potential equalisation

According to DIN VDE 0100, all parts of metallic water and gas piping which can conduct electricity have to be included in the main potential equalisation of a building.

inoxPRES, **steelPRES**, **aesPRES** and **marinePRES** are conductive systems and must therefore be included in the potential equalisation.

The responsibility for this work lies with the persons installing the electrical system.

5.8 Dimensioning

The objective of pipe system calculation is to achieve perfect functioning of the system with economical pipe diameters. The following regulations should particularly be observed:

Potable water installations:

- DIN 1988 part 300
- EN 806 2008:2012
- DVGW W531-553
- VDI guideline 6023

It is also important to respect the CEN / TR 16355: 2012 standard (Recommendations for prevention of Legionella growth in installations inside buildings conveying water for human consumption).

Heating installations:

- UNI EN 12828:2014
- DIN 4751

Gas installations:

- TRGI / TRF

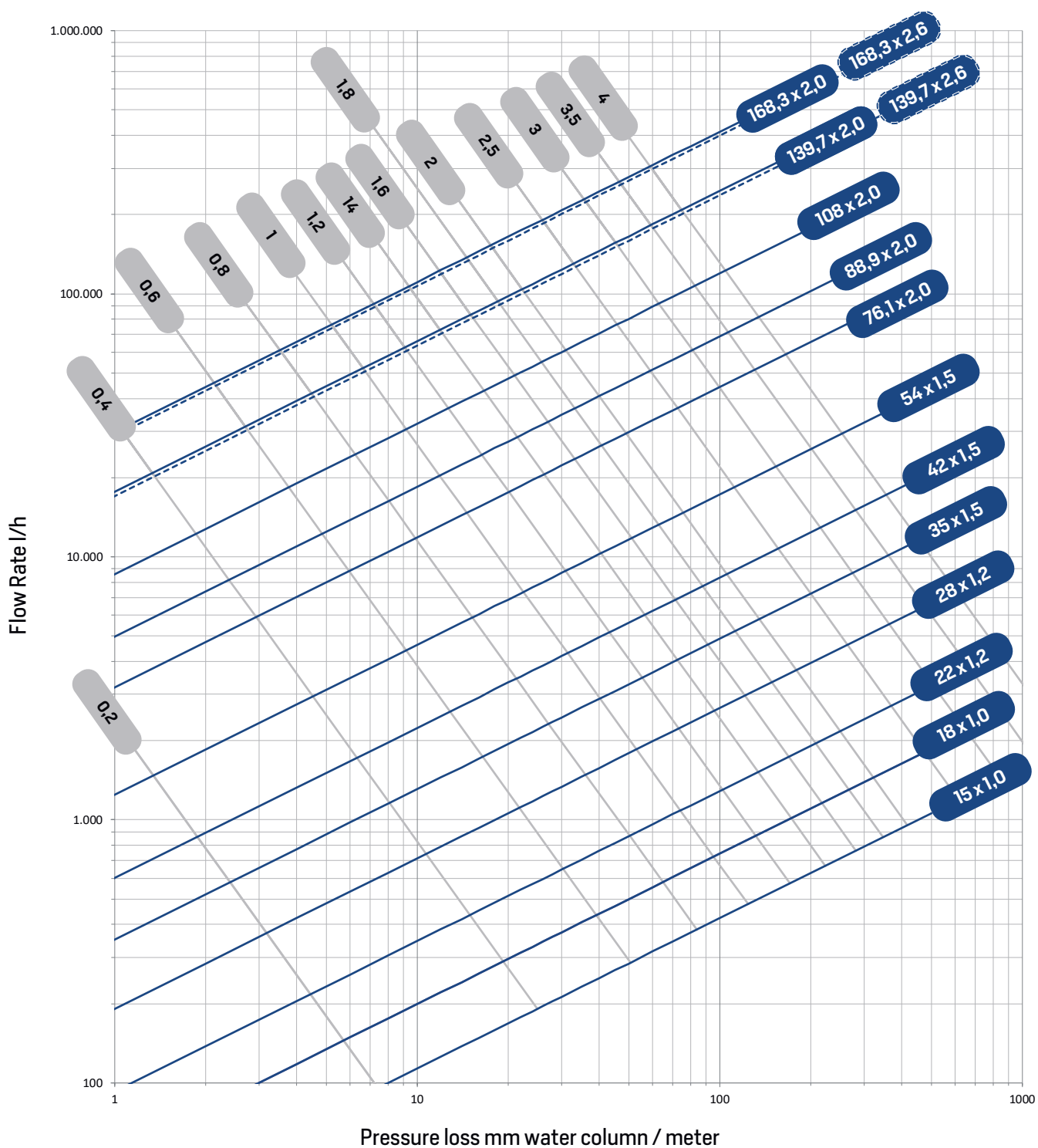
The pipe friction pressure drop for **inoxPRES** / **steelPRES** / **aesPRES** / **marinePRES** piping is shown in table 26 a - d.

5.9 Trace heating

When trace heating is used, the temperature of the pipe inside wall may not exceed 60 °C.

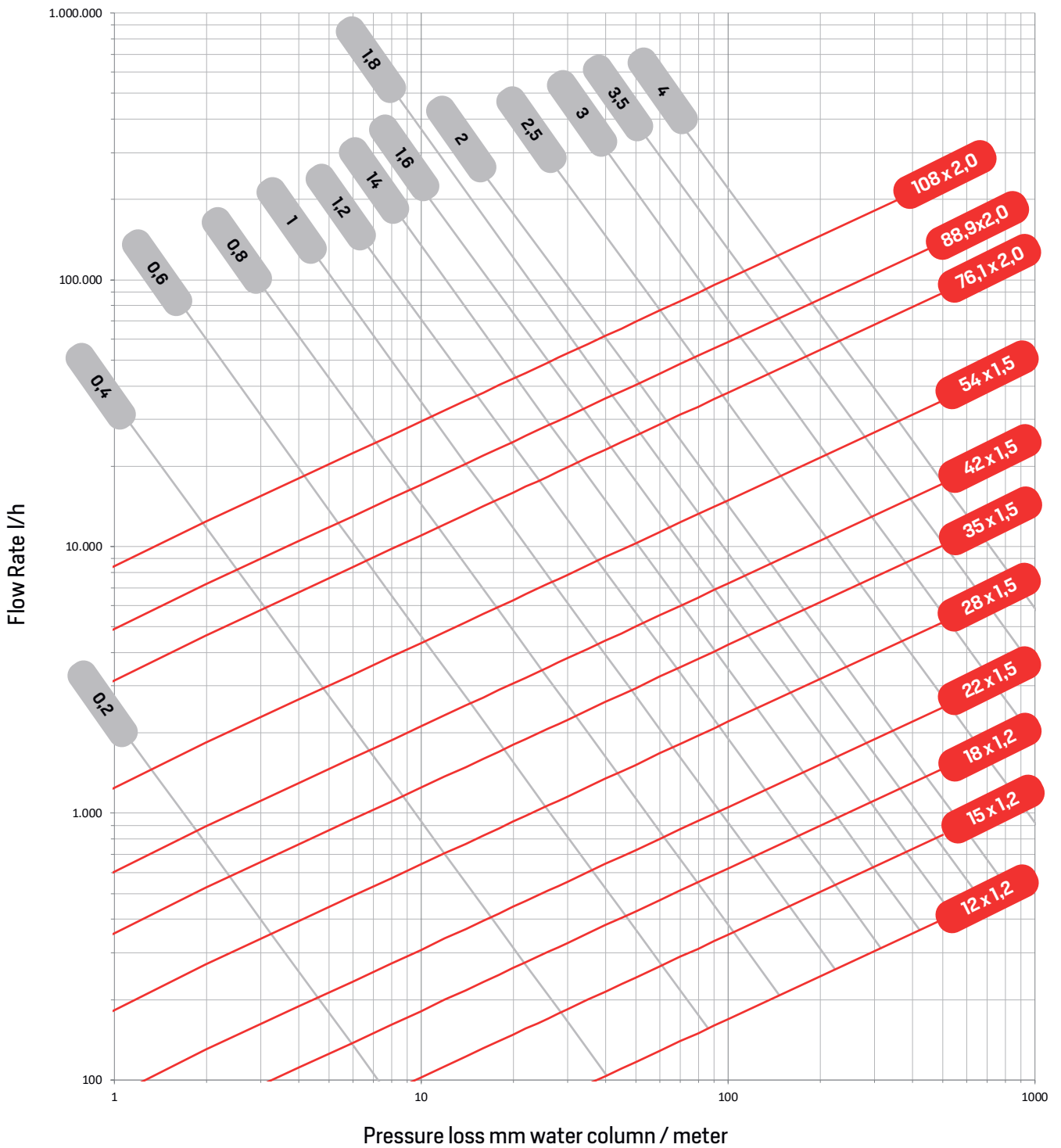
For thermal disinfection purposes a temporary temperature increase to 70 °C (1 hour per day) is permitted. Pipes which are fitted with drainage valves or back-flow prevention valves must be protected against excessive pressure increase resulting from warming. The fitting instructions issued by trace heating manufacturers are to be followed exactly.

TABLE 26a : PIPE FRICTION PRESSURE DROP
INOXPRES



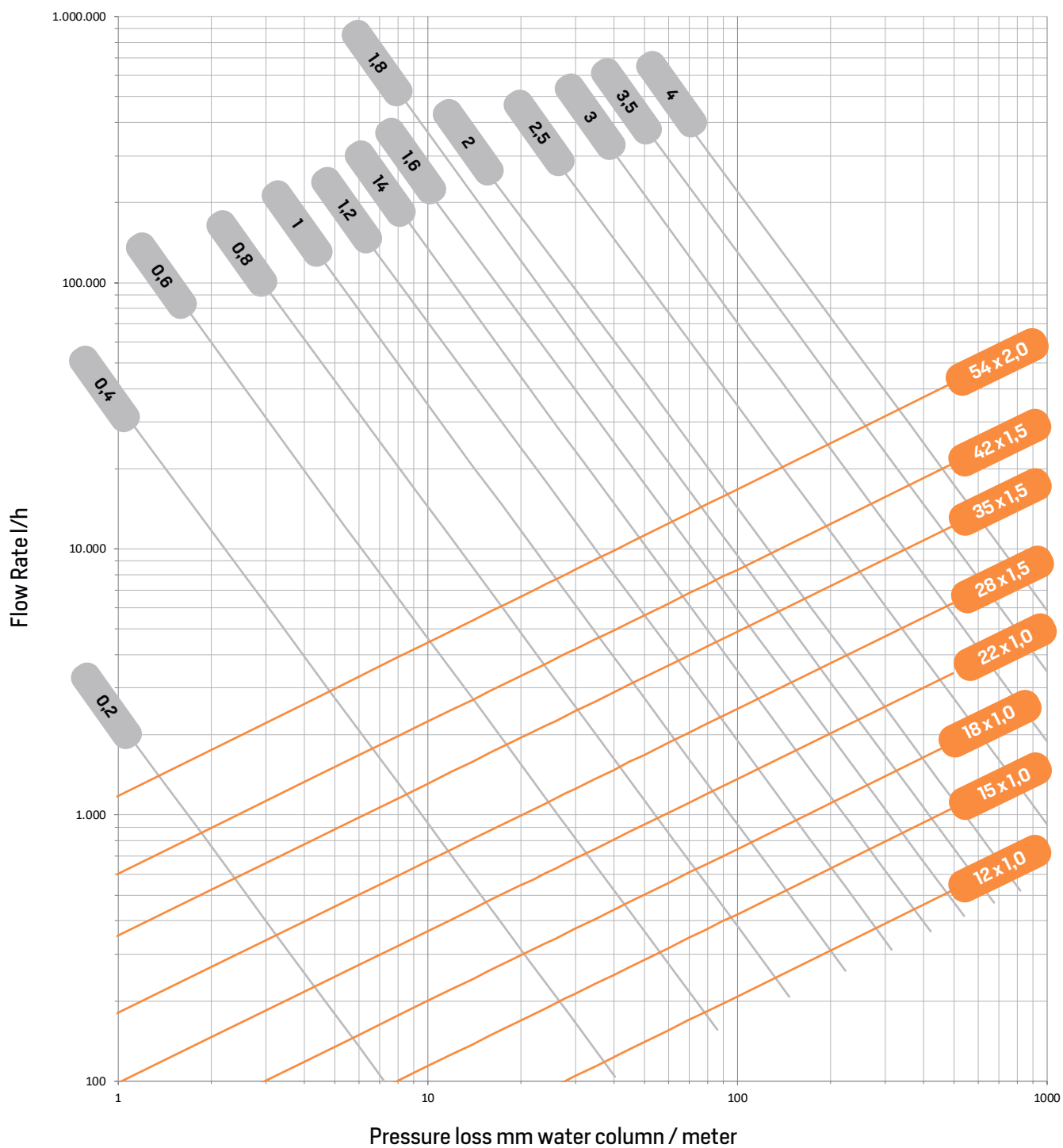
Velocity m/s

**TABLE 26b : PIPE FRICTION PRESSURE DROP
STEELPRES**



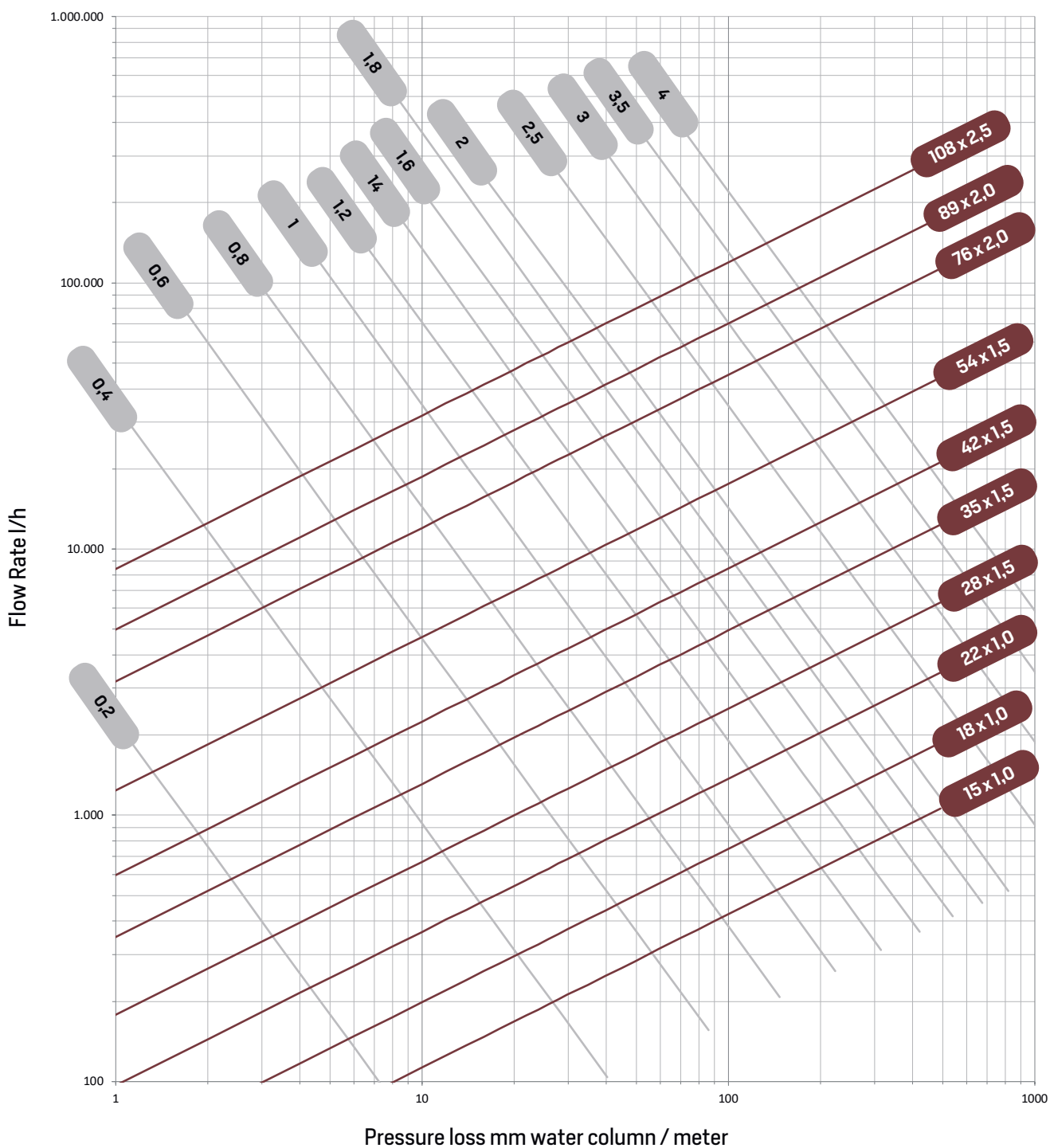
Velocity m/s

TABLE 26c : PIPE FRICTION PRESSURE DROP
AESPRES



Velocity m/s

TABLE 26d : PIPE FRICTION PRESSURE DROP
MARINEPRES



Velocity m/s

6.0 Start-up

The following guidelines have to be taken into account in Germany when carrying out the start-up and pressure testing:

Potable water systems:	DIN 1988 part 100 ZVSHK worksheet "Tightness Testing of Potable Water Piping with Compressed Air, Inert Gas or Water" (Dichtheitsprüfung von Trinkwasser-Installationen mit Druckluft, Inertgas oder Wasser) BTGA rule 5.001 VDI 6023
Heating systems	DIN-VOB 18380
Gas systems:	DVGW G 600 TRGI (technical regulations for gas installation) TRF (technical regulations for liquid gas)

6.1 Pressure testing

In the case of piping for potable water, the pressure testing (see page 55) has to be carried out in accordance with DIN EN 806, DIN 1988 part 100 and worksheet GW534, using filtered potable water. The potable water system must stay completely filled until taken into operation. The presence of remaining quantities of water in the piping greatly increases the danger of corrosion in metal piping (three phase corrosion). This effect is avoided keeping the system completely filled with water up to commissioning function otherwise the risk of corrosion would greatly increase due to the residual water remaining in the system (in the case of metal exposed to both water and air). If a potable water system is not used soon after the pressure testing, then the pressure testing should be carried out using compressed air or inert gases.

- ❑ Tightness / pressure tests are to be carried out before the pipes are covered (e.g. for insulation purposes);
- ❑ Tests are to be carried out in accordance with DVGW worksheet W534 and the ZVSHK data sheet "Tightness Tests for drinking water installations with compressed air, inert gas or water"
- ❑ When conducting pressure tests with air, follow the technical rules for gas installations "DVGW-TRGI";
- ❑ The correct assembly of the press-fit connections is the responsibility of the installer / company. Unpressed-untight is to be understood as an additional help in order to identify an assembly error – in this case, the non-pressing of fittings. A precondition for that is the proper implementation of the prescribed tightness and pressure tests; it does not absolve the installer from his obligation to carry out visual and noise controls to make sure that the assembly has been done properly. These visual and noise controls are to be duly recorded on the respective test certificate.

6.2 Flushing the system and starting up

According to DIN 1988 Part 100, EN 1717 and VDI 6023 is to prevent corrosion in potable water pipes, rinsing with a water-air mixture is required. From a corrosion point of view, **inoxPRES** potable water installations, however, only require simple flushing with filtered potable water, since thanks to the special connection technique no additional substances such as cutting oil and fluids are required. Stagnant water from the house supply piping must not access the potable water installation.

For hygienic reasons a high standard system flushing procedure may be required (for example, hospital, care centre). In this situation the ZVSHK / BTGA data sheets should be applied. The pressure testing, flushing and start-up of the system have to be documented. The system operator has to be instructed with regard to correct working practices.

6.3 Regular checks

Maintenance of the potable water quality can only be assured by regular monitoring of the system; for this reason the operator should be offered a maintenance contract.

7.0 Corrosion

7.1 inoxPRES

The corrosion behaviours of the **inoxPRES** press fitting system is dictated by the material used. The corrosion behaviour of **inoxPRES** press fitting systems is determined by the Cr-Ni -Mo steel with material AISI 316L (1.4404) and Cr-Mo AISI 444 (1.4521). The following properties result from it:

- suitability for all potable water in accordance with German drinking water regulations;
- absolutely hygienic;
- suitable for mixed installations;
- suitable for treated, softened and desalinated water.

7.1.1 Bimetal corrosion (mixed installation) – DIN 1988 part 200

inoxPRES can be combined with all non-ferrous metals (copper, brass, red brass) in one mixed installation without taking flow rules into account.

Bimetal corrosion can only appear on zinc-coated components if they are in direct contact with **inoxPRES** components. Bimetal corrosion can be prevented by installing a spacing section made of non-ferrous material > 80 mm (for example a shut-off valve).

7.1.2 Crevice, pitting corrosion (three phase corrosion)

Unacceptably high chloride content in potable water and building materials can lead to corrosion traces on stainless steels. Crevice or pitting corrosion can occur in water with a chloride content which is above the levels of the potable water legislation (max. 250 mg/l). The chloride content of the potable water can be obtained from the local water company. It must be considered that, although the chloride limit for drinking water is equal to 250 mg/l, on the basis of laboratory and construction site experiences, it is recommended not to exceed 100 mg/l. Situations of stagnation of the circulating fluid and dead branches in the system must be properly evaluated when planning and when managing the installation, taking into consideration the parameters about the quality of the water and all the conditions of the installation environment, which may generate corrosion phenomena. As per drinking water systems, it is important to grant a continuous flow, avoiding dead branches and stagnation conditions (EN 806-1). These conditions of application and use, help to preserve the materials of Inoxpres range during the time, helping their durability.

inoxPRES components are in danger of crevice or pitting corrosion if:

- following pressure testing the system is emptied and some water remains in the piping which is open to the atmosphere. The slow evaporation of the remaining water may lead to an unacceptable increase in the chloride content level and thus initiate pitting (three phase corrosion) at the 'water-material- air' interface. If the system cannot be put into operation shortly after pressure testing with water, then the pressure testing should be carried out using air. See section 6.1 Pressure testing for more details;
- an increase in the water temperature is caused from the outside via the pipe wall (for example electrical trace heating). There may be an increase in chloride ions in the deposits which form on the inside pipe wall during this type of operation. See section 5.9 Trace heating for more information;
- non-approved sealants or plastic tapes containing chloride are used. The transfer of chloride ions from sealant materials to the potable water can lead to local increase in chloride and thus to crevice corrosion. See section 4.10 Thread or flange connections for more information;
- if the material is sensitised through incorrect heating. Any heating of the material which leads to tarnishing changes the microstructure of the material and can lead to intercrystalline corrosion. Hot bending or cutting the pipes using a grinder is not permitted.

7.1.3 Outside corrosion

inoxPRES components are in danger of outside corrosion if:

- non-approved insulation materials or lagging are used. Only those insulation materials and lagging are approved which are of AS quality in accordance with AGI Q 135, having a percentage weight of max. 0,05% in water soluble chloride ions;
- **inoxPRES** is subjected to contact with gases or fumes containing chloride (e.g., galvanising shops, swimming pools);
- **inoxPRES** comes into contact with building materials which contain chloride, together with dampness;
- a concentration of chloride develops through water evaporation on warm piping (swimming pool atmosphere).

inoxPRES components can be protected against outside corrosion by means of:

- closed cell insulation material or lagging;
- coating;
- painting;
- avoiding installation in areas where the risk of corrosion is higher (e.g., floor without cellar space underneath).

The planner or the fitter carries the responsibility for the selection and installation of the corrosion protection measures.

7.2 inoxPRES GAS

The corrosion behaviour of **inoxPRES GAS** press fitting systems is defined by the material used; Cr-Ni-Mo steel with the material AISI 316L [1.4404].

In the case of **inoxPRES GAS** components no further corrosion protection is normally required, except where special protection from corrosive agents is required.

7.2.1 Outside corrosion

inoxPRES GAS components are in danger from outside corrosion if:

- non-approved insulation materials or lagging are used. Only those insulation materials and lagging are approved which are of AS quality in accordance with AGI Q 135, having a percentage weight of max. 0,05% in water soluble chloride ions;
- **inoxPRES GAS** comes into contact with gases or fumes containing chloride (e.g., galvanising shops, swimming pools);
- **inoxPRES GAS** comes into contact with building materials which contain chlorides, under the influence of dampness;
- according to VDE (German Association for electrical, Electronic & Information Technologies), **inoxPRES GAS** must be inserted in the main equipotential bonding (connection to be carried out by skilled personnel).

inoxPRES GAS components can be protected against outside corrosion by means of:

- installing closed cell insulation materials or lagging;
- coating;
- painting;
- avoiding installation in areas where the risk of corrosion is higher (e.g., floor without cellar space underneath).

The planner or the fitter carries the responsibility for the selection and installation of the corrosion protection measures.

7.3 steelPRES

The corrosion behaviour of the **steelPRES** press fitting system is defined by the unalloyed carbon steel used and is suitable for:

- ✘ closed heating systems;
- ✘ closed cooling and refrigeration circuits;
- ✘ compressed air system;
- ✘ closed solar cycles.

7.3.1 Inside corrosion

In closed heating/cooling systems there is generally no air and thus no danger of corrosion. The small quantity of oxygen which enters the system when it is being filled poses no problems since it reacts with the entire inside metallic surface of the system and is reduced in the process.

In addition, oxygen is released when heating water is heated, and is released through valves installed in the system.

The systems must be filled in accordance with VDI 2035. Oxygen increase can also be prevented by the use of oxygen binding materials. However, these must be approved by RM beforehand. When filling the systems, the pH value must not fall below 7,2 (drinking water).

7.3.2 Bimetal corrosion

In closed circuit of heating/cooling installations executed with **steelPRES**, it is possible to insert single fittings made from different raw materials, including **inoxPRES** components, in any order.

Closed circuit networks entirely executed with **steelPRES** (pipes and fittings) must be separated from stretches made with **inoxPRES** (pipes and fittings) through the use of shut-off valves or bronze nipples (> 80 mm) for protection against corrosion.

7.3.3 Outside corrosion

SteelPRES pipes and fittings are externally galvanized, but this galvanization does not provide permanent protection against corrosion.

The use of **steelPRES** pipes with PP coating ($\varnothing 12 \div 108$ mm), represents a good protection against corrosion, while the fittings must be protected individually.

The humidity acting on **steelPRES** parts over a long period of time can lead to external corrosion, which is the reason why carbon steel pipes and fittings are only suitable in permanently dry environments.

steelPRES system should preferably installed outside of areas exposed to high levels of humidity. Additional corrosion protection should be applied to the pipe and fittings, especially in case of installations on the line of / under the floor / under screed, in order to protect the installation from external influences, especially unintentional effects of moisture or e.g. avoiding contact with building materials during, but also after the installation.

Contact with building materials can lead to corrosion.

steelPRES components can be protected against outside corrosion by means of:

- corrosion protection binding;
- closed cell insulation or lagging;
- coating;
- painting;
- avoiding installation in areas where the risk of corrosion is higher (e.g., floor without cellar space underneath).

steelPRES components should not be subjected to permanent dampness. For this reason felt lagging or coverings are not approved, since they retain water.

The planner or the fitter carries the responsibility for the selection and installation of the corrosion protection measures.

7.4 aesPRES / marinePRES

Corrosion behaviour of the **aesPRES** / **marinePRES** systems depends on the main material quality – copper – consisting of alloys of the two systems to be pressed.

The **aesPRES** system stands out for the following features:

- suitable for drinkable waters;
- hygienically safe as copper and its alloys prevent bacteria proliferation on their surfaces (bacterial-static action);
- suitable for mixed installations;
- suitable for treated, softened and desalinated water.

The **marinePRES** system is mainly suggested for application where chlorides are present, as in the case of saline water transportation.

7.4.1 Bimetal corrosion (mixed installation)

aesPRES and **marinePRES** systems can be matched with different materials, ferrous and not. It is important to pay attention to the ratio between cathode and anode areas as not to lead to conditions favourable to corrosion. Copper in fact in general is under cathode conditions and can lead to the component corrosion.

In the case of open loop installations, as to avoid corrosion in mixed installations, it is important to comply with the following general rules:

- consider the water flow, install copper and copper alloys downstream the installations made with ferrous materials;
- add non ferrous separators > 80 mm (ex. check valves, bronze or brass joints) between the two sections of different materials.

7.4.2 Perforating corrosion

The dotted corrosion (pin-head tube holing), depends on the growing water pollution in the last decades strictly linked to industrialization. Such an issued was totally solved with the introduction of copper tubes with no carbon residues.

7.4.3 Outside corrosion

Copper and copper alloys stand the outside corrosion risk and nothing is to be done at the protection level, while in the presence of sulphurs, nitrites and ammonia, tubes are to be protected. It is necessary to protect **aesPRES** / **marinePRES** details against external corrosion as follows:

- closed cell insulators;
- coating;
- painting;
- avoiding installation in areas where the risk of corrosion is higher (e.g., floor without cellar space underneath).

The planner or the fitter carries the responsibility for the selection and installation of the corrosion protection measures.

7.5 aesPRES GAS

The high resistance of **aesPRES GAS** joint to outside corrosion does not require any additional anti-corrosion standard protection, except where special protection from corrosive agents is required.

According to VDE (German Association for electrical, Electronic & Information Technologies), **aesPRES GAS** must be inserted in the main equipotential bonding (connection to be carried out by skilled personnel).

aesPRES GAS components can be protected against outside corrosion by means of:

- installing closed cell insulation materials or lagging;
- coating;
- painting;
- avoiding installation in areas where the risk of corrosion is higher (e.g., floor without cellar space below).

The planner or the fitter carries the responsibility for the selection and installation of the corrosion protection measures.

7.6 Material compatibility - two-metal matching

The summary table of the couplings between different materials in open and closed circuit systems is shown below.

TABLE 27: MATERIAL COMPATIBILITY - TWO-METAL MATCHING

PRESSFITTING		PIPES			
Systems	Plant type	Stainless Steel	Carbon Steel	Copper	Cupronickel
inoxPRES	open circuit				
	close circuit		2)		
steelPRES	open circuit				
	close circuit	1)		1)	1)
aesPRES	open circuit				
	close circuit		2)		
marinePRES	open circuit				
	close circuit		2)		

Accepted matching

Attention to the enclosed notes

Forbidden matching

NOTES:

- 1) any kind of stainless steel / copper / cupro piping's lines must be separated from the carbon with a non-ferrous transition's spacer (ex. valve, bronze/brass joints).
Single jointsparts in stainless steel/copper/copper-nickel are accepted, in a carbon installations.
- 2) any kind of carbon steel piping's stretch must be separated from inox with a kind of non-ferrous transition's spacer (ex. valve, bronze/brass joints).
Single carbon fittings in a stainless steel / copper / cupro system are not allowed.

Compatibilities in the table refer to the water transportation under standard conditions (PN 16 bar, T 20 °C).

The table is not binding: as for corrosion, simply assess surfaces of the different components and the real operating conditions.

8.0 Disinfection

The disinfection of potable water systems may be required in case:

- germs are detected;
- of increased hygienic requirements.

The **inoxPRES** press fitting system must be disinfected using hydrogen peroxide (H₂O₂) in accordance with DVGW worksheet W 291 – disinfection of water supply systems.

If disinfection is carried out using chlorine, then the prescribed concentrations and disinfection periods shown in the overview below must be strictly adhered to.

Chlorine content (free chlorine)	50 mg/l	100 mg/l
Disinfection period	max. 24 h	max. 16 h

The working temperature of the disinfectant substance must never exceed 25 °C in any point of the plant. Following disinfection with chlorine the system must be flushed thoroughly with potable water until a residue-free chlorine value of < 1 mg/l in the entire potable water system is reached.

Due to the danger of corrosion through incorrect disinfection measures using chlorine, we do recommend either disinfection using hydrogen peroxide or thermal disinfection. Disinfection measures should always be carried out by experienced, trained professional staff only.

The disinfection treatment must also be extended to existing lines if they be expanded or repaired. The ZVSHK leaflet "Flushing, disinfecting and commissioning of drinking water installations" must be used and observed.

9.0 Hygiene

The implementation of the new potable water regulations (TrinkwV) places great emphasis on the hygieneconscious planning, realisation and operation of potable water systems. It is necessary to put particular attention to the to the applicable regulations in each country where the installation is done, with particular reference to aspects of plant level, sanitizing and maintenance.

The following measures are suitable both for the assurance of the required potable water quality and the minimising of the danger of germs occurring:

- material choice in accordance with DIN 50930-6;
- when calculating the pipe network, select the smallest possible widths;
- hygiene-conscious system layout (looped systems); Are to avoid "dead branches" and branches that appear to be unidirectional critical from the point of view of hygiene;
- no stagnation piping (drainage pipes, collective safety devices);
- single safety devices are preferable;
- separate extinguisher systems from potable water network;
- ensure target temperature is reached in entire potable water heater;
- install circulation piping with dimensions are in accordance with W 553;
- verify the possibility of inserting traits bypass on the main line in cases of complex lines, so that it is possible to make a thorough washing without stopping the system thus increasing the effectiveness of the disinfection treatment;
- protect cold water piping against heating;
- hygiene-conscious handling of materials;
- document the piping system;
- maintain the system regularly (maintenance contract).

10.0 Form Request of compatibility

DATA OF THE APPLICANT

Applicant / Company _____
 Name _____
 Address _____
 Contact person _____
 Date _____

DATA OF THE PROJECT

Descrizione _____
 Set-up of the system _____
 Pipe diameter _____
 Design manager _____
 Specification _____

SYSTEM FOR WHICH COMPATIBILITY IS REQUESTED

inoxPRES	<input type="checkbox"/>	steelPRES	<input type="checkbox"/>	inoxPRES GAS	<input type="checkbox"/>	aesPRES	<input type="checkbox"/>
Pipe AISI 316L	<input type="checkbox"/>	Pipe of gal./internally black (316/005)	<input type="checkbox"/>	Tube AISI 316L	<input type="checkbox"/>	Copper pipe	<input type="checkbox"/>
Pipe AISI 444	<input type="checkbox"/>	Pipe of gal./internally gal. (316/002)	<input type="checkbox"/>	aesPRES GAS	<input type="checkbox"/>	marinePRES	<input type="checkbox"/>
Pipe AISI 304L	<input type="checkbox"/>	Pipe of gal./internally black + PP coating (316/003)	<input type="checkbox"/>	Copper pipe	<input type="checkbox"/>	Copper-nickel pipe	<input type="checkbox"/>

MEDIUM WHOSE COMPATIBILITY NEEDS TO BE REVIEWED

Attachments	Technical data sheet	<input type="checkbox"/>
	Safety sheet	<input type="checkbox"/>
	Chemical analysis	<input type="checkbox"/>
Treatment of systems (e.g. cleaning, anti-corrosion, foil, etc.)		

SYSTEM

Description/working environment _____

OPERATING CONDITIONS

Temperature	min ____ °C	max ____ °C
Pressure	min ____ bar	max ____ bar
PH	min	max
Medium proportion	% min	% max

OTHERS SUBSTANCES

Type of plant	Open	<input type="checkbox"/>	Closed	<input type="checkbox"/>
Installation	Outside closed spaces	<input type="checkbox"/>	Inside closed spaces	<input type="checkbox"/>

11.0 Pressure test protocol

11.1 Pressure test protocol for drinking water systems in "wet conditions"

For **inoxPRES** / **aesPRES** press fitting systems

Project / Construction _____

Contractor / Representative _____

Client / Representative _____

Materials _____

Potable water temperature _____ °C Room temperature _____ °C

Carrying out the pressure tests according to EN 806-4, VDI 6023 and the ZVSHK leaflet, leak tests of drinking water installations with compressed air, inert gas or water.

- ❑ The system must be filled with filtered and deaerated water
- ❑ Only the press system will be checked (Tanks, valves, etc. must be separated).

Leakage test

- ❑ After the initial filling a waiting period of at least 30 minutes for temperature equilibration will be observed
- ❑ The max. test pressure during the leakage test is of **6 bar**
- ❑ Pressure drop during the leak test
- ❑ Test accuracy of the pressure gauge **0,1 bar**
- ❑ A visual inspection of all pipe connections for a proper execution was carried out

System pressure test

- ❑ Test pressure is of at least **12 bar**
- ❑ Selected test pressure _____ bar
- ❑ Start of test _____ Clock test period (45 minutes min.) _____ hours
- ❑ Pressure drop during the pressure test

Comments

A proper assessment has been done!
Both signatures are required for a properly conducted test!

Place _____

Date _____

Client signature

Contractor signature

11.2 Pressure test protocol for hot water heating systems

For **inoxPRES** / **steelPRES** / **aesPRES** press fitting systems

Project / Construction _____

Contractor / Representative _____

Client / Representative _____

Materials _____

Medium Potable water temperature _____ °C Room temperature _____ °C

☒ The system must be filled with filtered and deaerated water according to DIN EN 12828.

☒ Only the press system will be checked (Tanks, valves, etc. must be separated).

Test pressure

Test pressure to VOB part C, DIN 18380, according to the pressure of the safety valve

☒ Selected test pressure _____ bar

☒ Start of test _____ Clock test period (45 minutes min.) _____ hours

Leakage test

☒ After the initial filling a waiting period of at least 30 minutes for temperature equilibration will be observed

☒ Pressure drop during the leakage test

☒ Test accuracy of the pressure gauge **0,1 bar**

☒ A visual inspection of all pipe connections for a proper execution was carried out

Comments

A proper assessment has been done!

Both signatures are required for a properly conducted test!

Place _____

Date _____

Client signature

Contractor signature

11.3 Pressure test protocol for potable water with compressed air

For **inoxPRES** / **aesPRES** press fitting systems

Project / Construction _____

Contractor / Representative _____

Client / Representative _____

Materials _____

Test fluid temperature _____

Test temperature _____ °C Room temperature _____ °C

Carrying out the pressure tests according to EN 806-4, VDI 6023 and the ZVSHK leaflet, leak tests of drinking water installations with compressed air, inert gas or water..

- Containers, fittings or pressure vessels etc. must be separated from the line, openings have to be closed with metal plugs.
- A visual inspection of all connections / crimps for proper execution was carried out.

Preliminary test / leakage test

- Test pressure **150 mbar**
- Test time up to 100 liters of pipe line volume min. **120 minutes**
- The test time must be increased by 20 minutes for every additional 100 liters
- Pipe line volume in liters _____ Test duration in minutes _____
- Temperature compensation was expeted, only then started the test testing time
- Test accuracy of the pressure gauge **1 mbar / 1hPa**
- A visual inspection of all pipe connections for a proper execution was carried out
- No pressure drop detected during / after the leak test

Leakage test

- For nominal sizes ≤ DN50 maximum 3 bar; For nominal sizes > DN50 maximum 1 bar;
- Test period **10 minutes**
- Test accuracy of the pressure gauge **100 mbar/100 hPa**
- Temperature compensation was expeted, only then started the test testing time
- Selected test pressure _____ bar
- Start test
- A visual inspection of all pipe connections for a proper execution was carried out
- No pressure drop detected after the leak test
- The system / pipelines are tight

Comments:

A proper assessment has been made!

Both signatures are required for a properly conducted test!

Place _____

Date _____

Client signature

Contractor signature

12.0 Guarantee

The **inoxPRES**, **steelPRES**, **aesPRES** and **marinePRES** press fitting systems produced and distributed by RM are covered by a guarantee.

For all the details related to the operative conditions, please contact our sales department.

The full references of our officials and business partners are available on our website.
raccorderiemetalliche.com



RACORDERIE METALLICHE

RACORDERIE METALLICHE S.P.A.

Head Office and Manufacturing Plant:

Strada Sabbionetana, 59

46010 Campitello di Marcaria (MN) ITALY

Tel. +39 0376 96001

Fax +39 0376 96422

info@racmet.com

raccorderiemetalliche.com